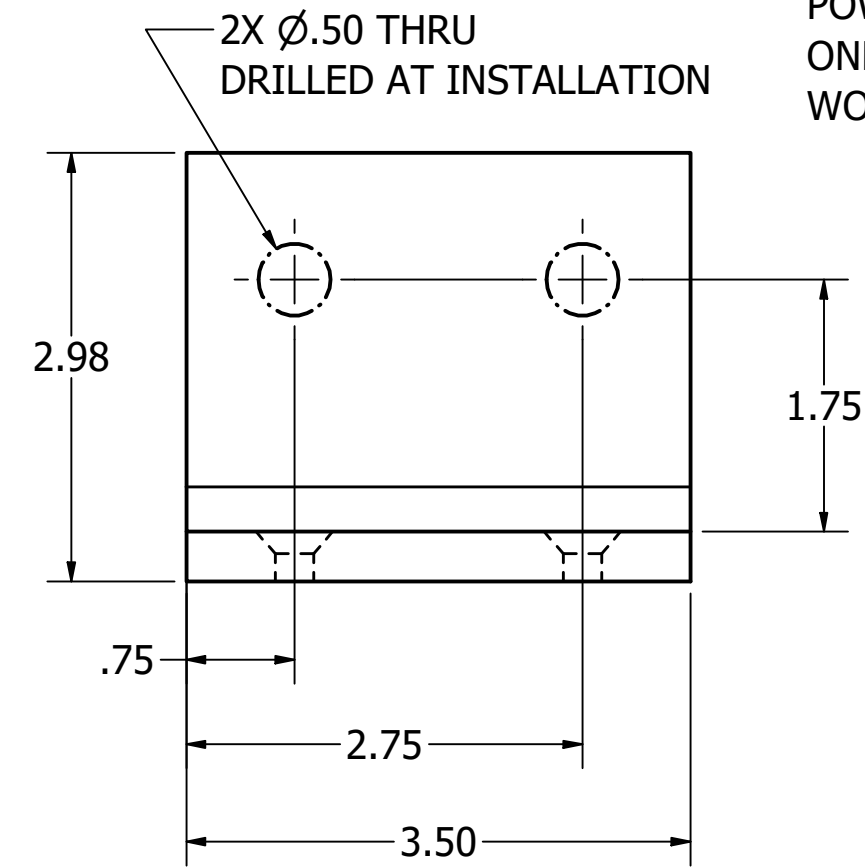
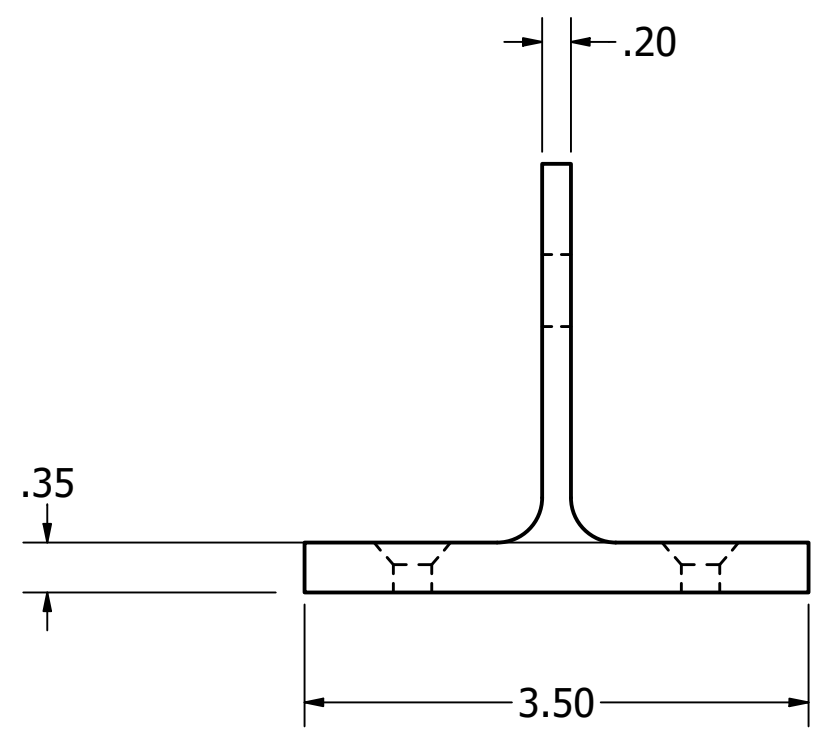
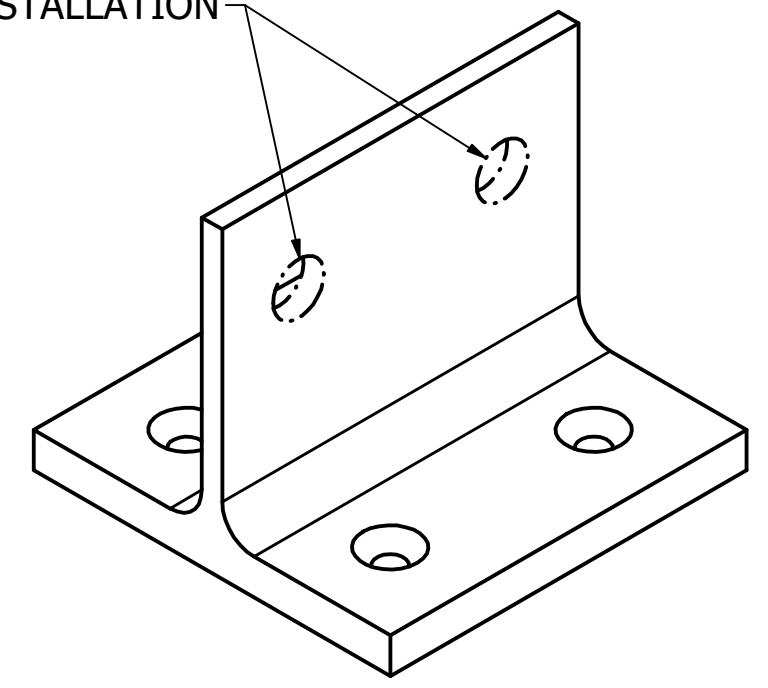


4X DRILL AND C-SINK
FOR 1/4 x 2-1/4"
POWERPRO
ONE MULTI-MATERIAL
WOOD SCREW




2X Ø.50 THRU
DRILLED AT INSTALLATION

DRILLED AT INSTALLATION



REVISION HISTORY			
REV	DESCRIPTION	DATE	APPROVED
A	INITIAL RELEASE	9/13/19	CT P&B
B	CHANGED HOLE LOCATION AND ADDED SCREW SPEC	10/18/2019	CT P&B
C	CHANGED HEIGHT TO MATCH ACTUAL	6/12/2020	CT P&B

NAME Standard 3.5 x 3.5		 Post & Beam		
SIZE 3.5 x 3.5				
PATENT # 9,920,531		AUTHOR JKD		
SCALE .75	SHEET 1 OF 1		DATE 8/11/22	REV C