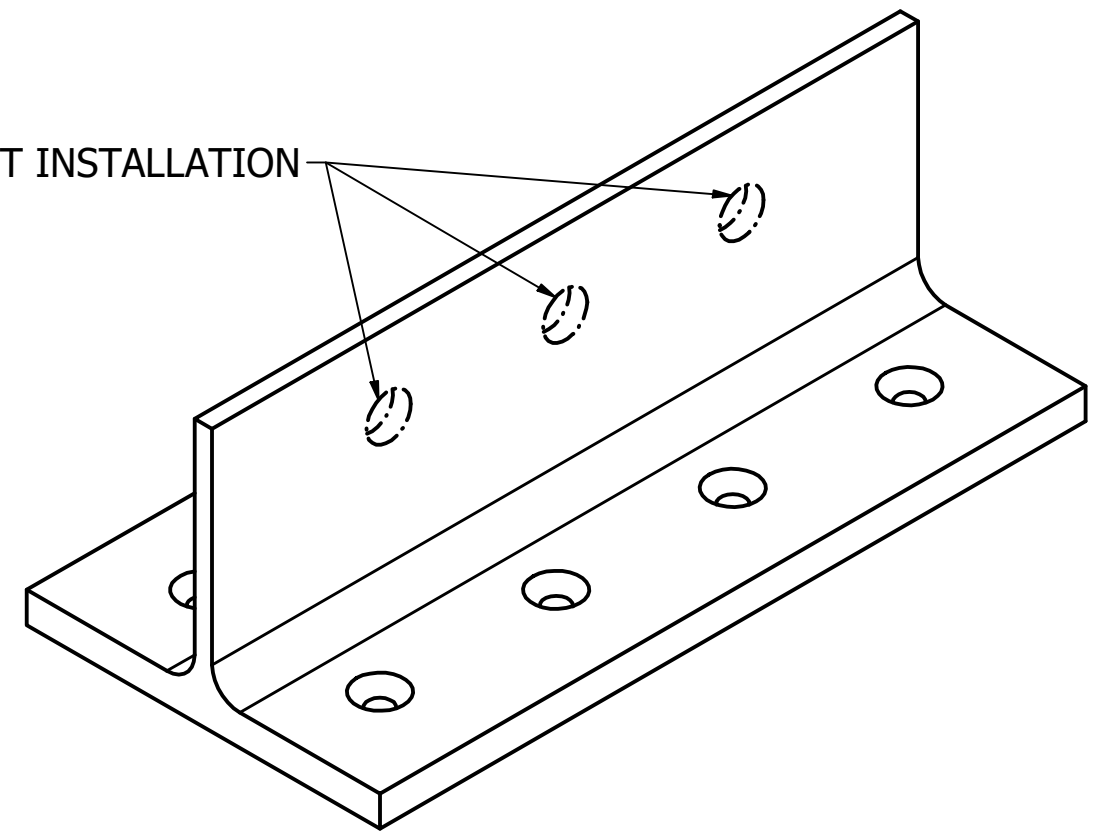
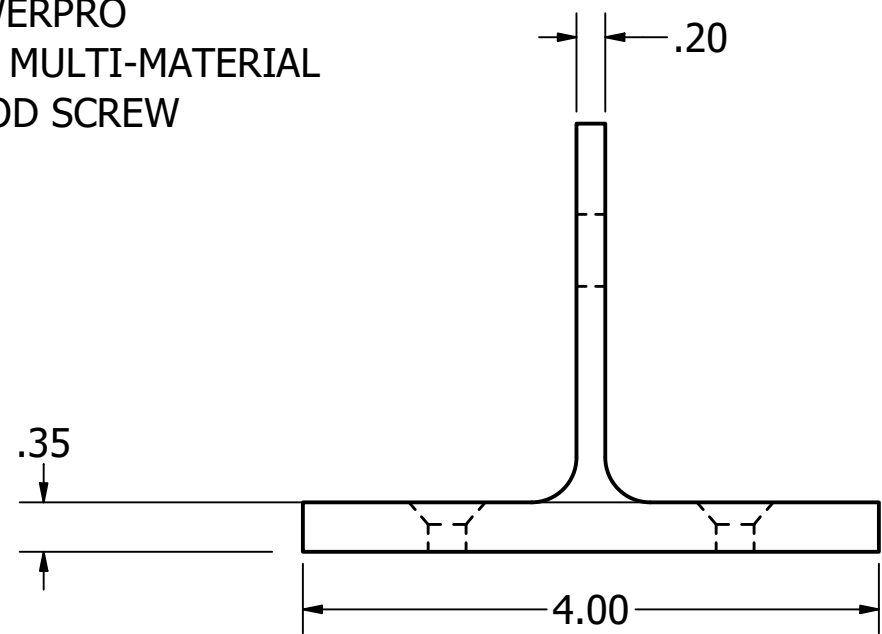
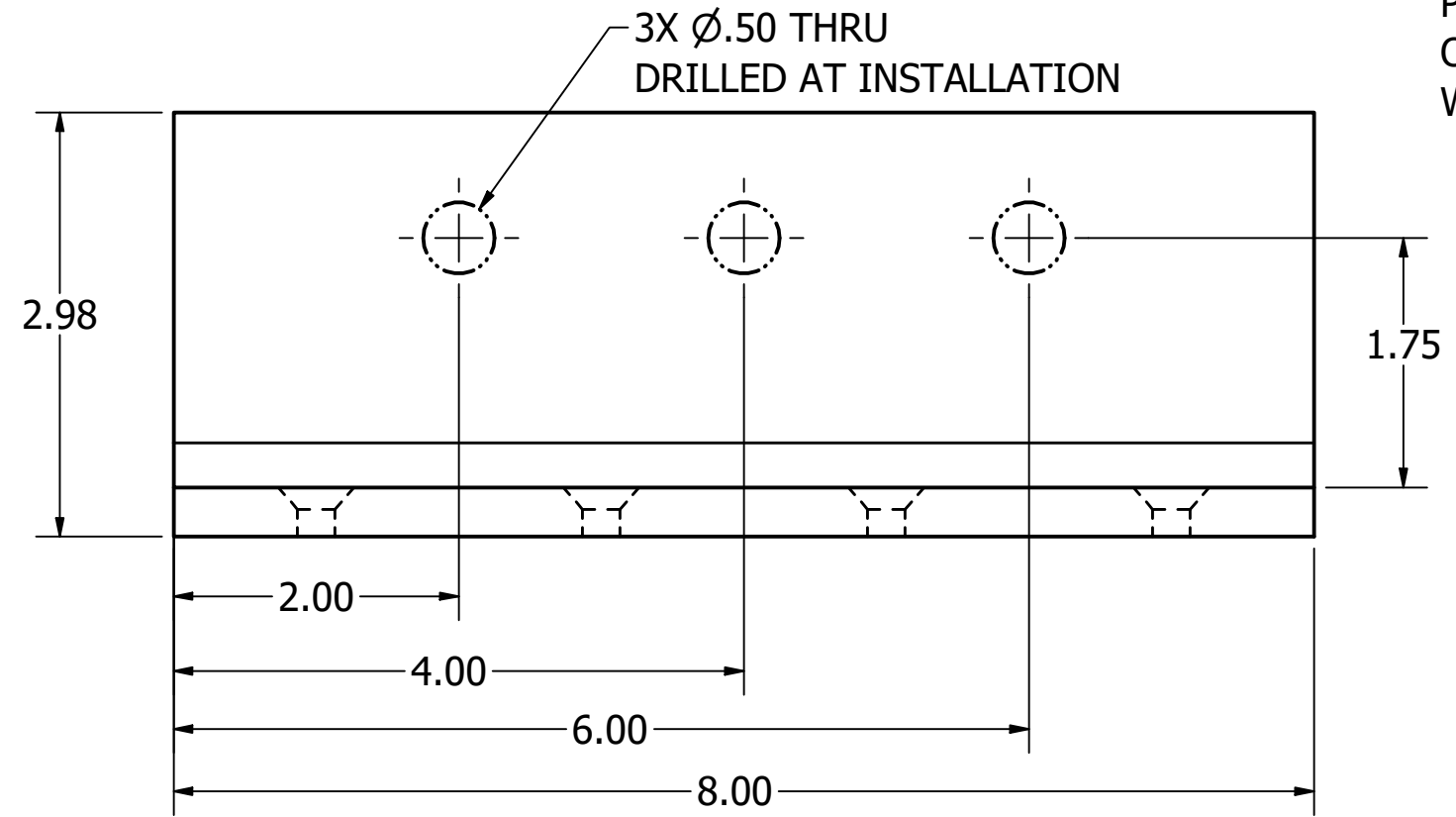



DRILLED AT INSTALLATION



8X DRILL AND C-SINK FOR 1/4 x 2-1/4" POWERPRO ONE MULTI-MATERIAL WOOD SCREW



NAME	Standard 4.0 x 8.0	
SIZE	4.0 x 8.0	
PATENT #	9,920,531	
SCALE	.75	SHEET 1 OF 1

 POST & BEAM		
		PRODUCT NAME 4080
AUTHOR JKD	DATE 8/11/22	REV B

REVISION HISTORY			
REV	DESCRIPTION	DATE	APPROVED
A	INITIAL RELEASE	3/31/22	CTPB
B	ADDED PIN HOLES NOTES	5/20/2022	CT PB