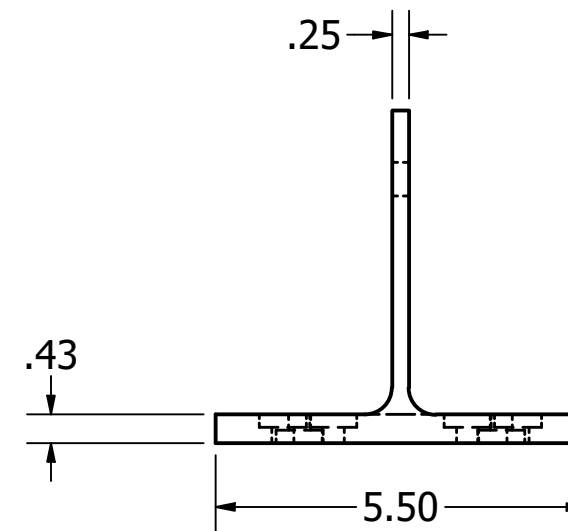
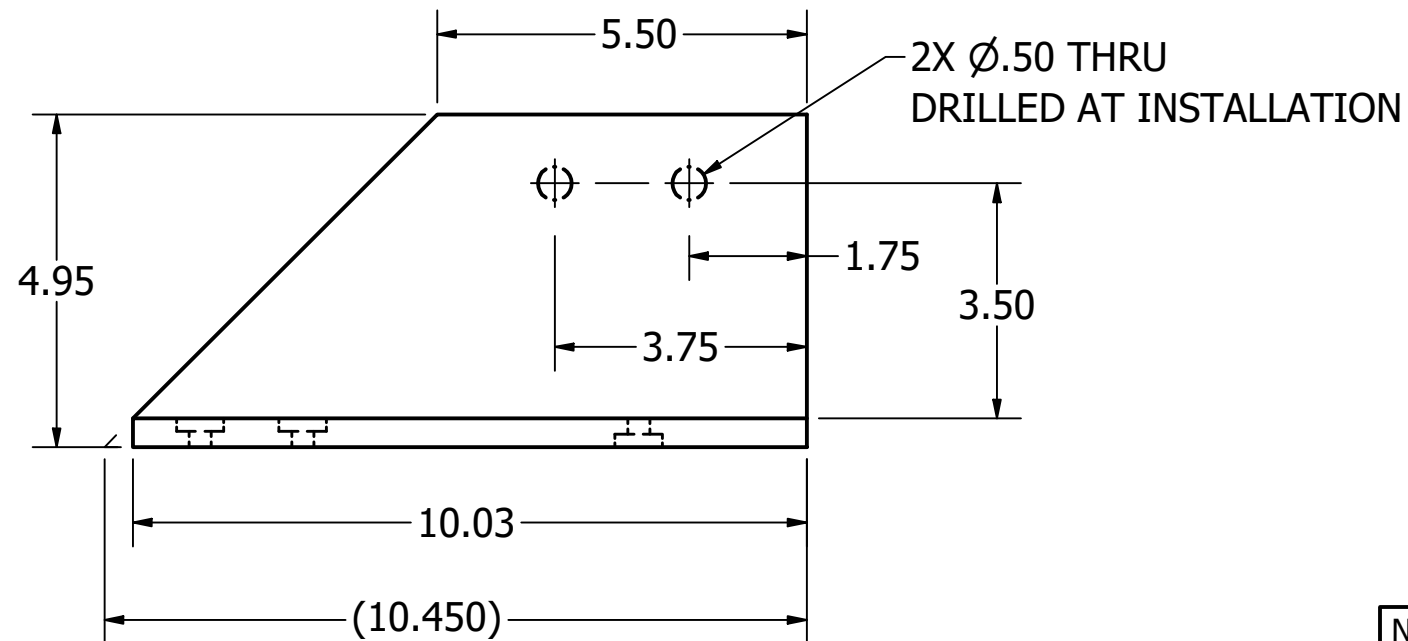
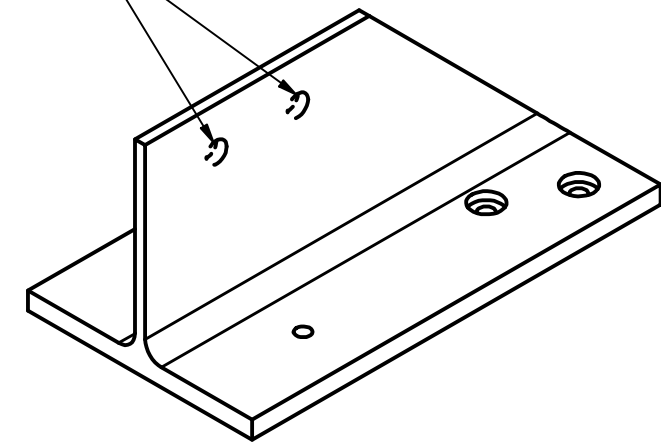



DRILLED AT INSTALLATION



REVISION HISTORY			
REV	DESCRIPTION	DATE	APPROVED
A	INITIAL RELEASE	6/25/20	CT P&B
B	PRODUCT NAME WAS 55-SPLCOR	9/28/21	CT P&B
C	ADJUSTED HOLE AND C-BORE SIZE	5/6/2022	CT P&B

NAME 5.5" Corner Connector		 Post & Beam		
SIZE 5.5 x 10.04				
PATENT # 9,920,531		AUTHOR JKD		
SCALE .35	SHEET 1 OF 1		DATE 8/11/22	REV C