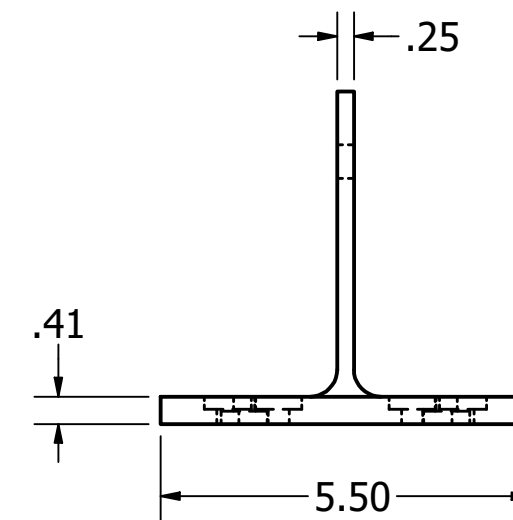
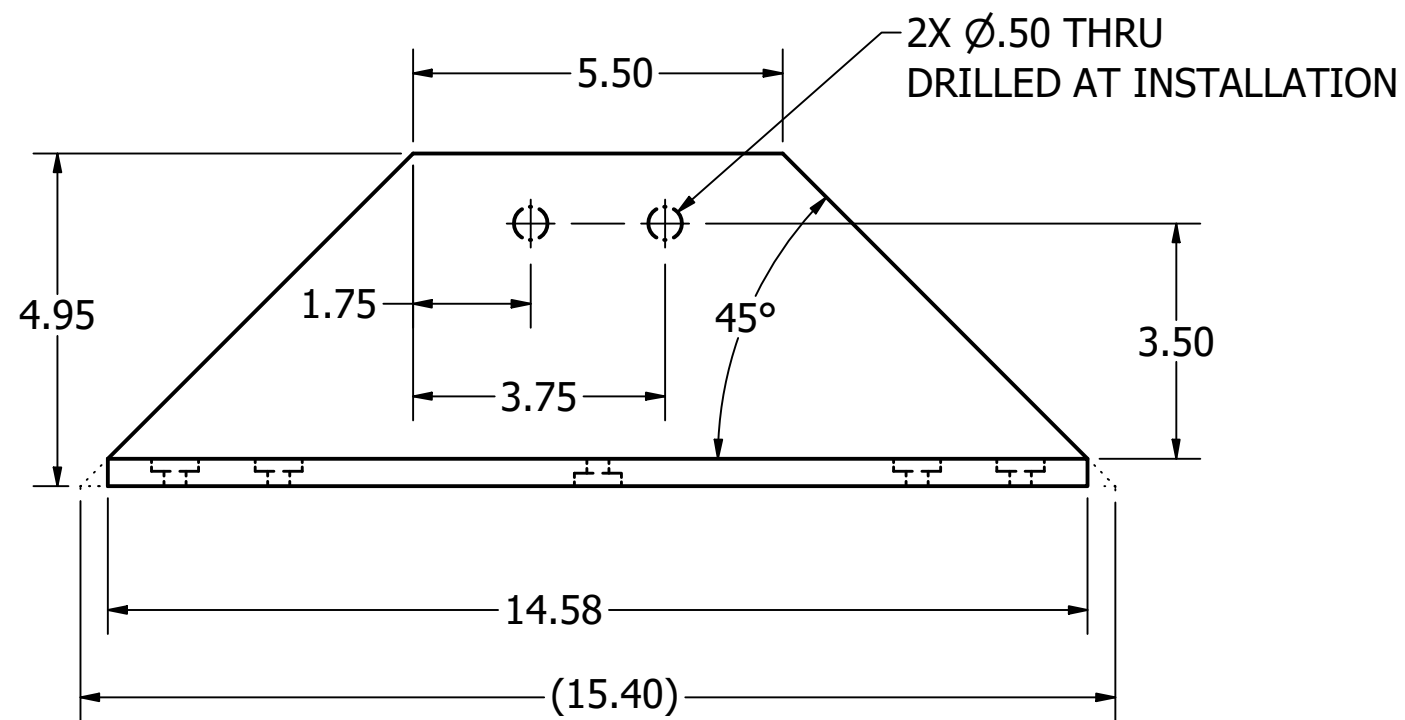
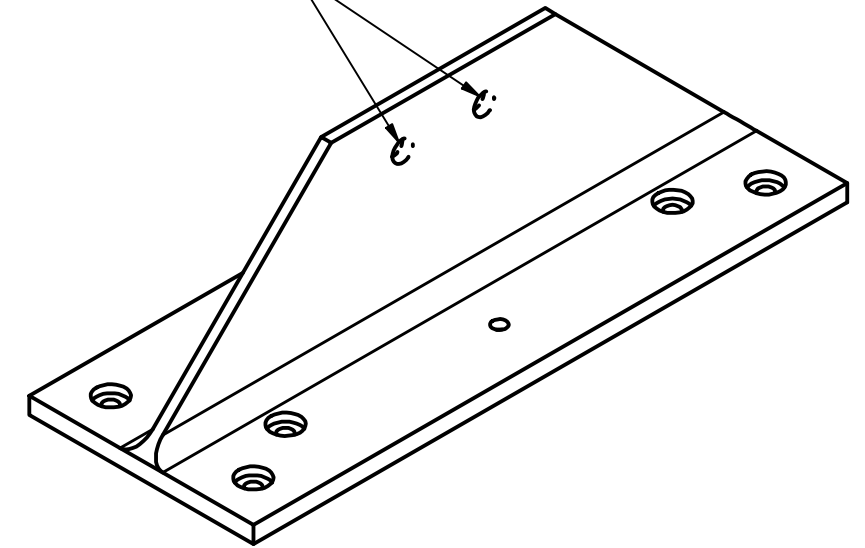


DRILLED AT INSTALLATION



NAME 5.5" Splice Plate				
SIZE 5.5 x 14.58				
PATENT # 9,920,531		AUTHOR JKD		
SCALE .35	SHEET 1 OF 1		DATE 8/11/22	REV B

REVISION HISTORY

REV	DESCRIPTION	DATE	APPROVED
A	INITIAL RELEASE	9/21/21	CT P&B
B	ADJUSTED HOLE AND C-BORE SIZE	8/8/2022	CT P&B