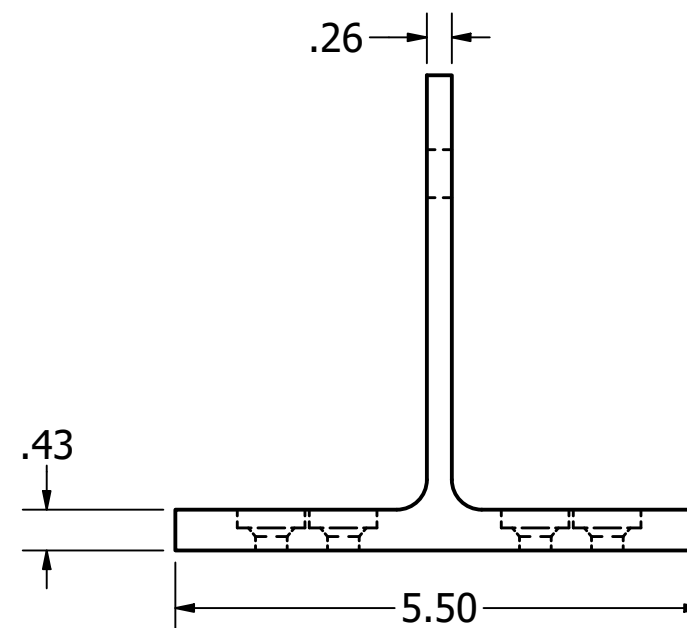
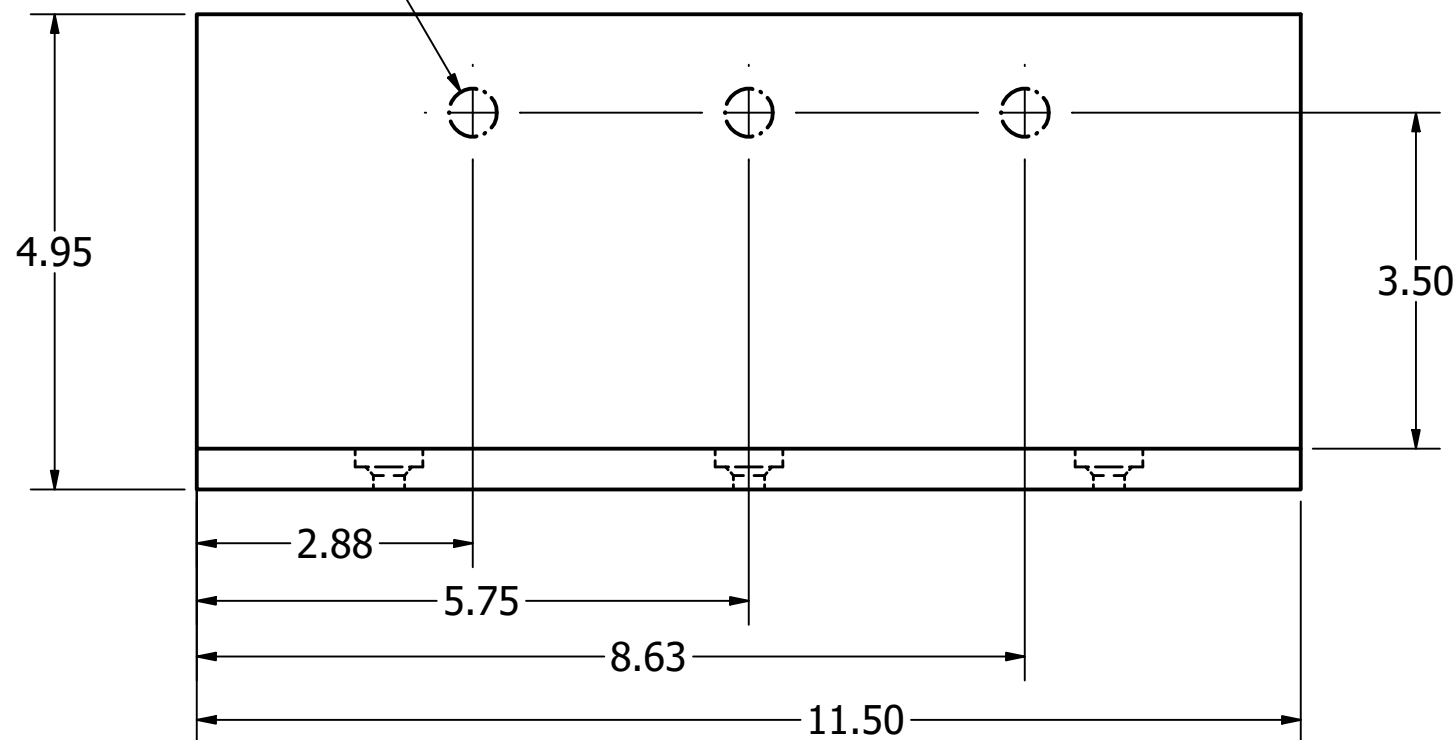
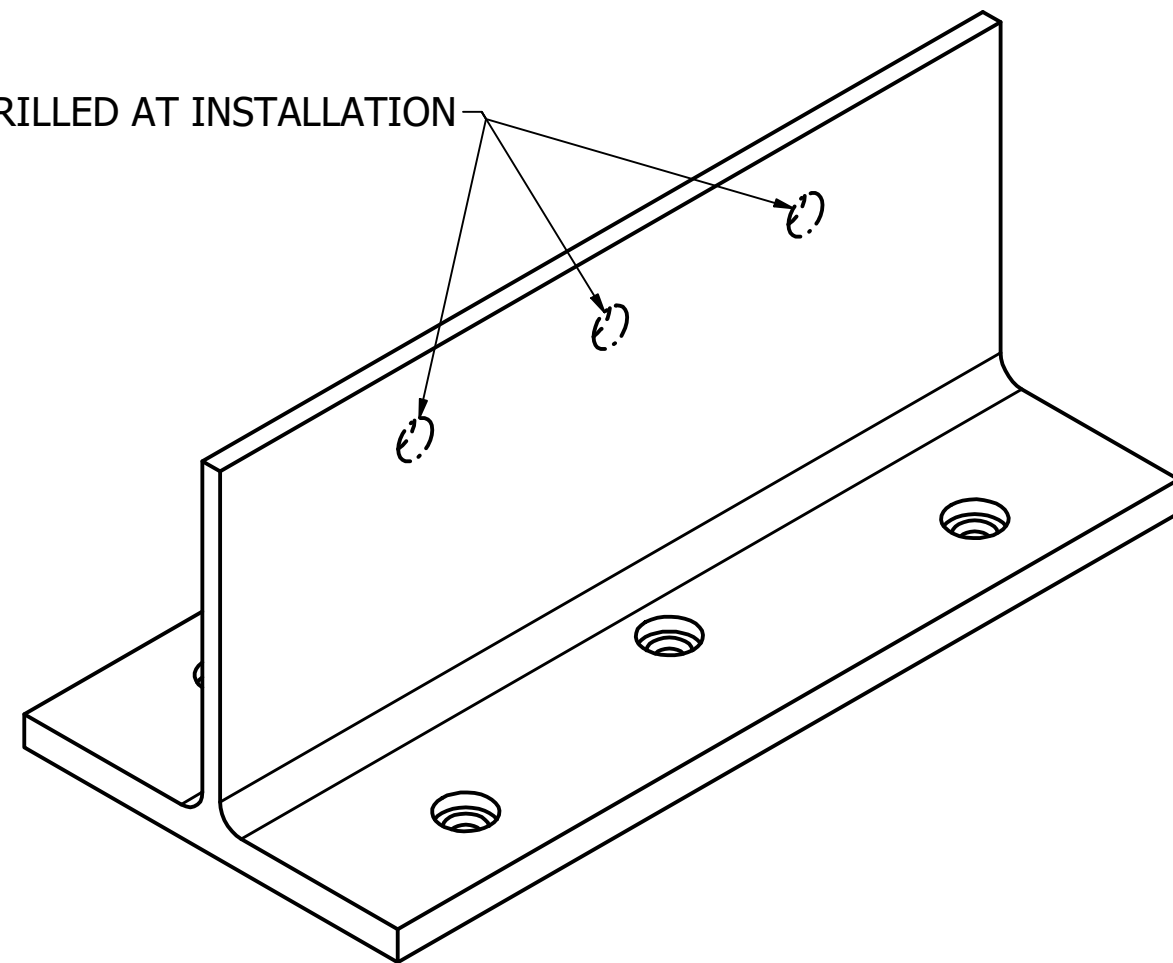


3X \varnothing .50 THRU
DRILLED AT INSTALLATION

6X \varnothing .33 THRU
 \sqsubset \varnothing .70 ∇ 0.19

6X \sphericalangle \varnothing .48 X 82°

DRILLED AT INSTALLATION



REVISION HISTORY			
REV	DESCRIPTION	DATE	APPROVED
A	INITIAL RELEASE	1/27/2021	CTPB
B	ADDED C-SINKS AND ADJUSTED HOLE AND C-BORE SIZE	3/13/2023	CTPB

NAME Standard 5.5 x 11.5				
SIZE 5.5 x 11.5				
PATENT # 9,920,531		PRODUCT NAME 55115		
SCALE .5	SHEET 1 OF 1	AUTHOR JKD	DATE 3/13/2023	REV B