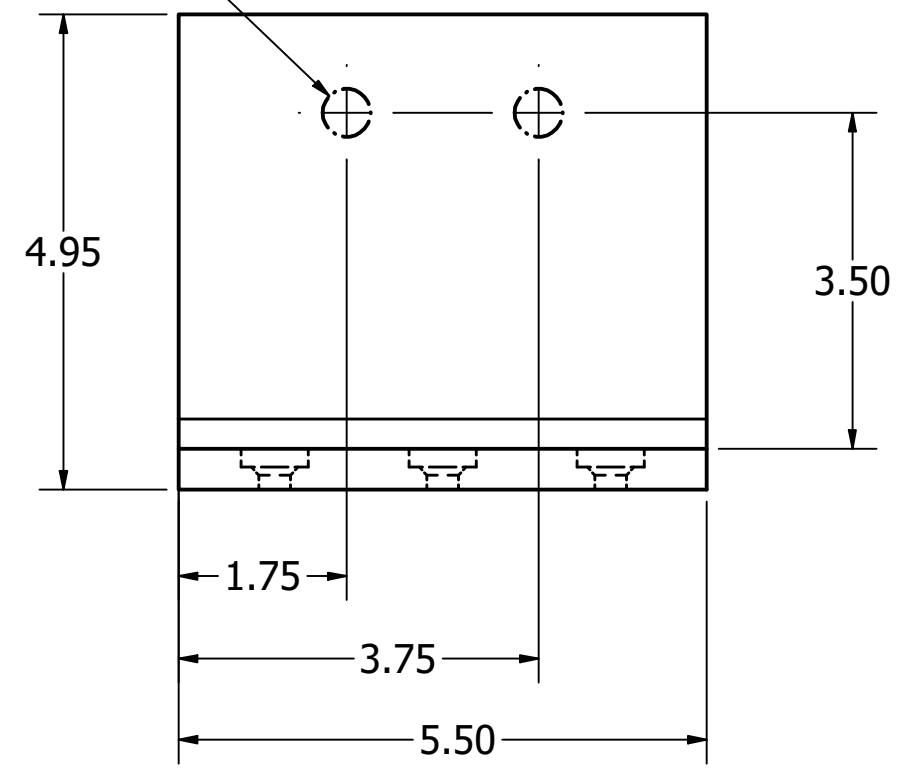


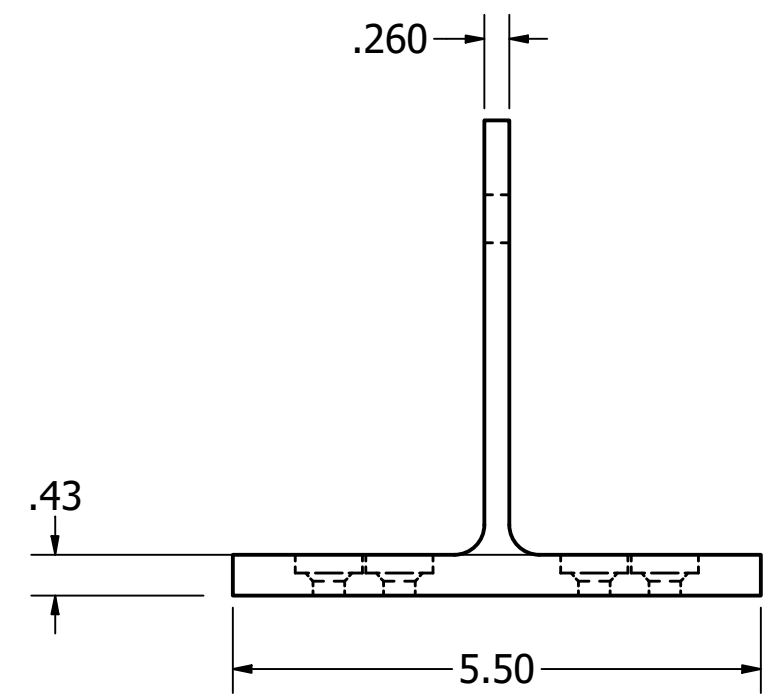
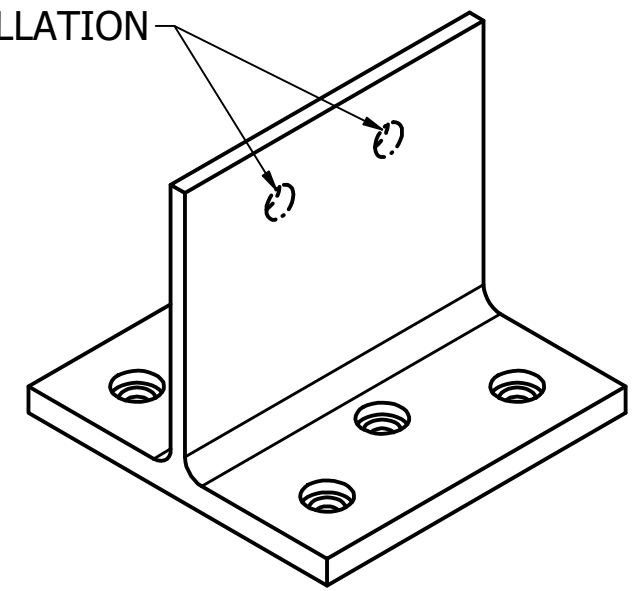
6X \varnothing .33 THRU
 \sqsubset \varnothing .70 ∇ .19

2X \varnothing .50 THRU
 DRILLED AT INSTALLATION


6X \sphericalangle \varnothing .48 X 82°



DRILLED AT INSTALLATION



REVISION HISTORY			
REV	DESCRIPTION	DATE	APPROVED
A	INITIAL RELEASE	4/12/2018	CT P&B
B	ADDED C-SINKS AND ADJUSTED HOLE AND C-BORE SIZE	4/29/2022	CT P&B

NAME Standard 5.5 x 5.5		 Post & Beam		
SIZE 5.5 x 5.5				
PATENT # 9,920,531		AUTHOR JKD		REV B
SCALE .5	SHEET 1 OF 1		DATE 8/11/22	