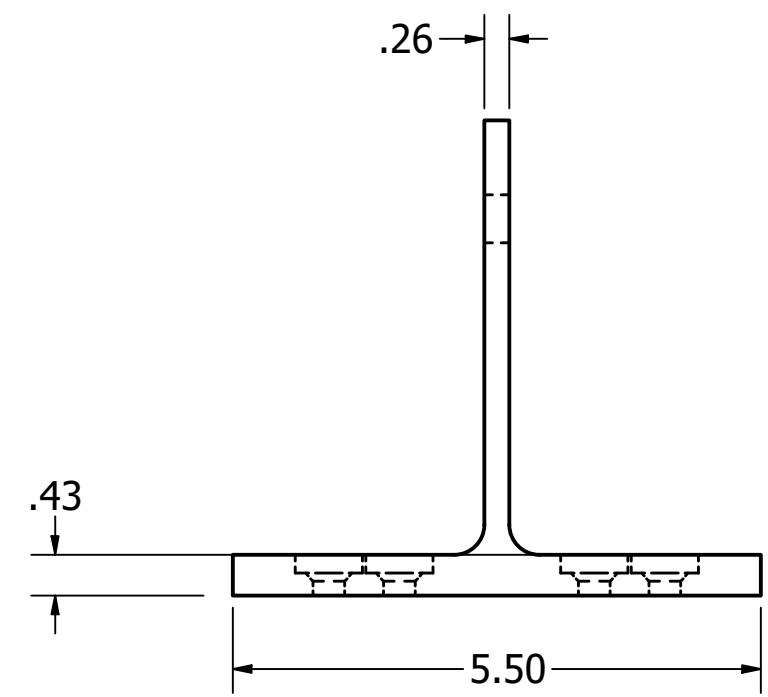
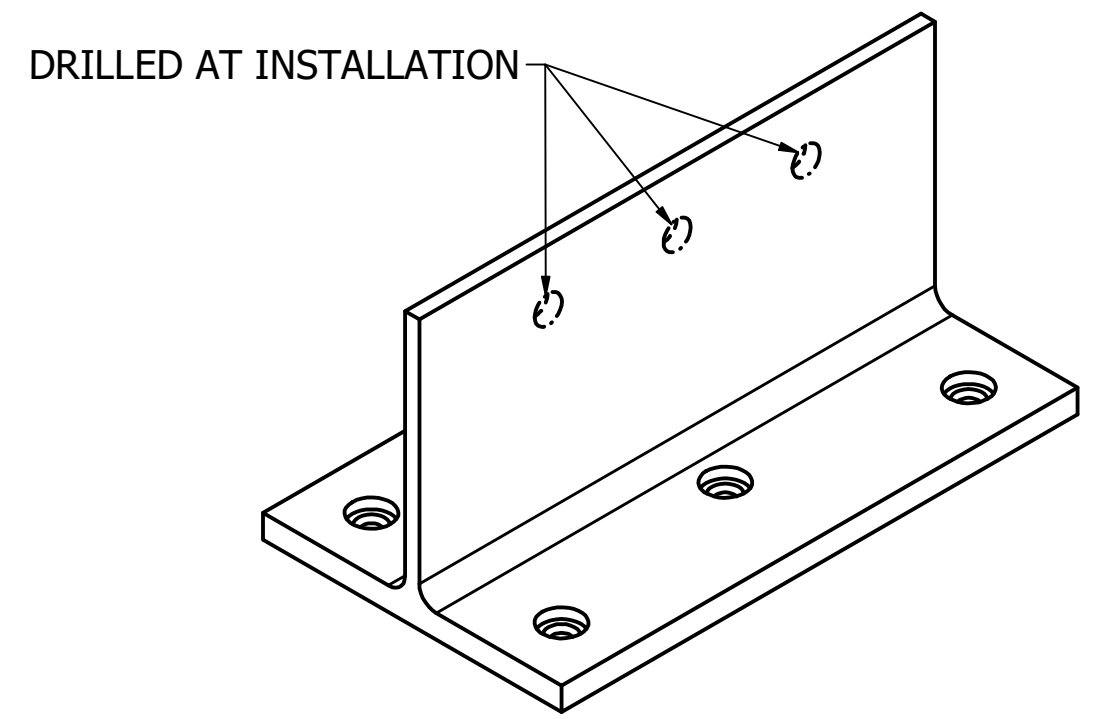
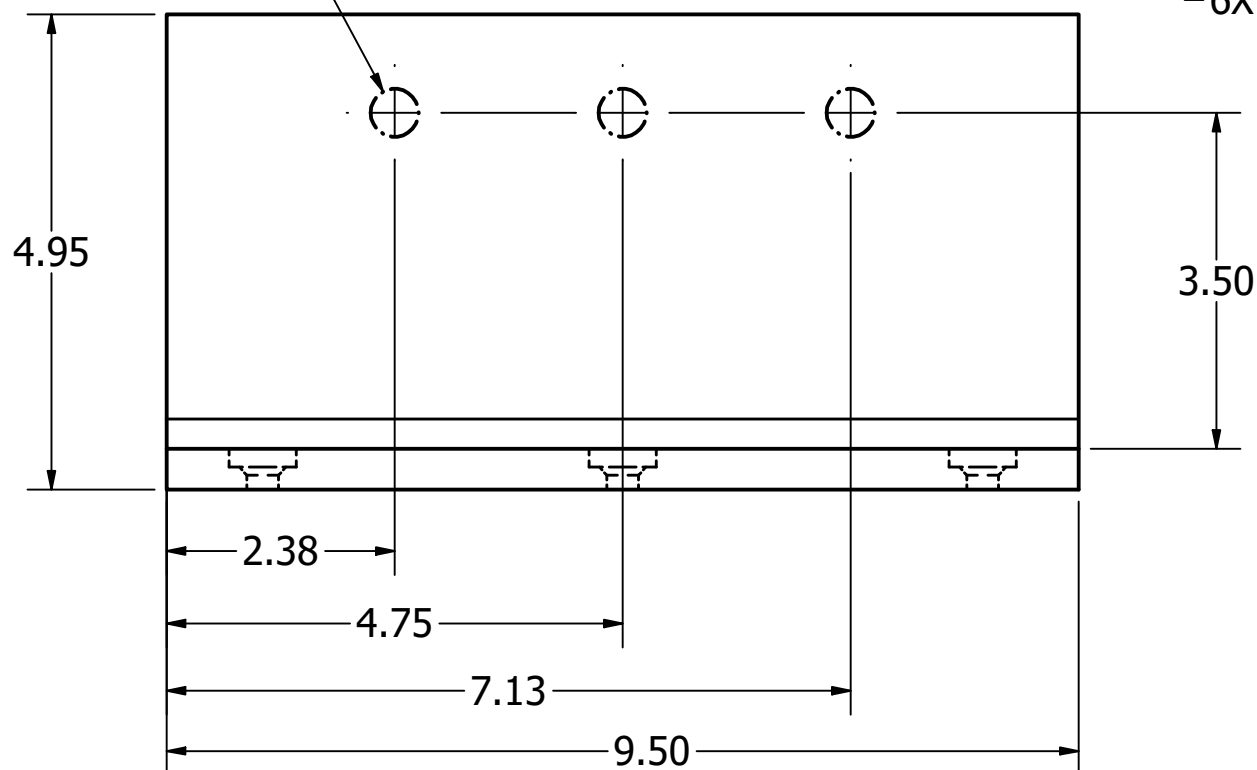



6X  $\varnothing$ .33 THRU  
 $\sqsupset$   $\varnothing$ .70  $\nabla$  .19

3X  $\varnothing$ .50 THRU  
 DRILLED AT INSTALLATION

6X  $\sphericalangle$   $\varnothing$ .48 X 82°



REVISION HISTORY			
REV	DESCRIPTION	DATE	APPROVED
A	INITIAL RELEASE	3/16/2022	CTPB
B	ADDED C-SINKS AND ADJUSTED HOLE AND C-BORE SIZE	5/5/2022	CTPB

NAME Standard 5.5 x 9.5		 <b>Post &amp; Beam</b>		
SIZE 5.5 x 9.5				
PATENT # 9,920,531		AUTHOR JKD		
SCALE .5	SHEET 1 OF 1		DATE 8/11/22	REV B