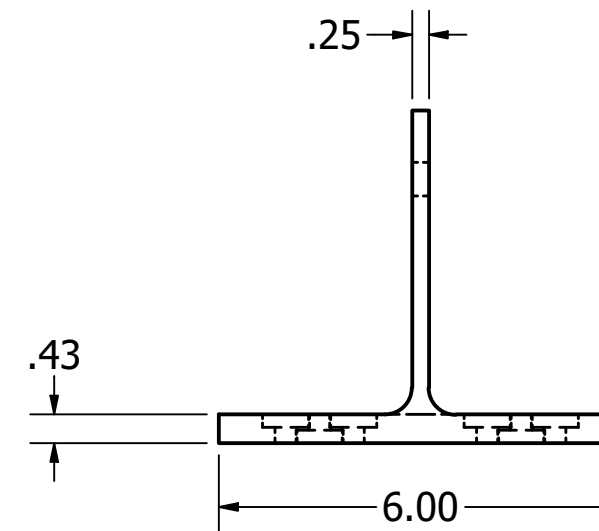
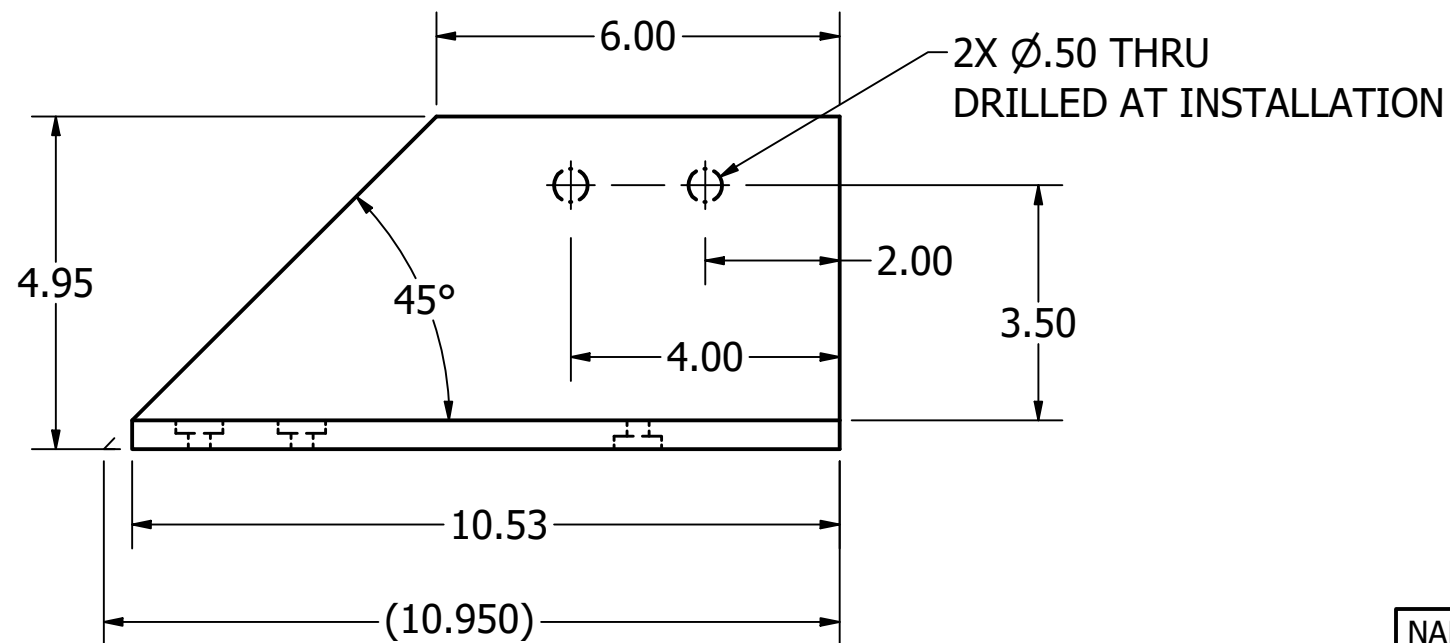
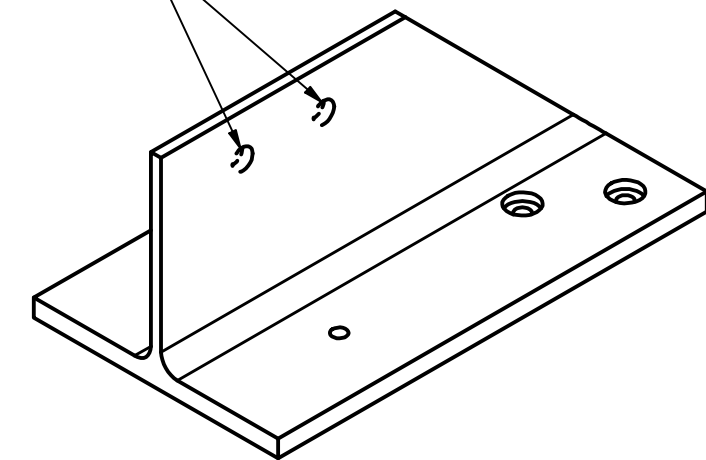



DRILLED AT INSTALLATION



REVISION HISTORY

REV	DESCRIPTION	DATE	APPROVED
A	INITIAL RELEASE	11/9/2018	CT P&B
B	ADDED C-BORES	2/25/2020	CT P&B
C	PRODUCT NAME WAS 60-SPLCOR	9/28/2021	CT P&B
D	ADJUSTED HOLE AND C-BORE SIZE	5/9/2022	CT P&B

NAME 6" Corner Connector		 POST & BEAM		
SIZE 6 x 10.54				
PATENT # 9,920,531		AUTHOR JKD		
SCALE .35	SHEET 1 OF 1		DATE 8/11/22	REV D