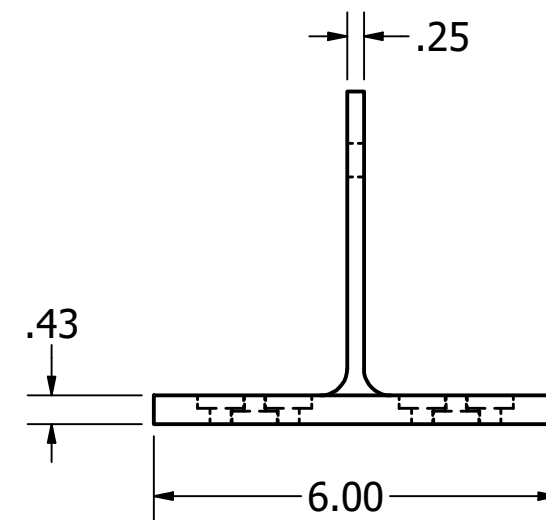
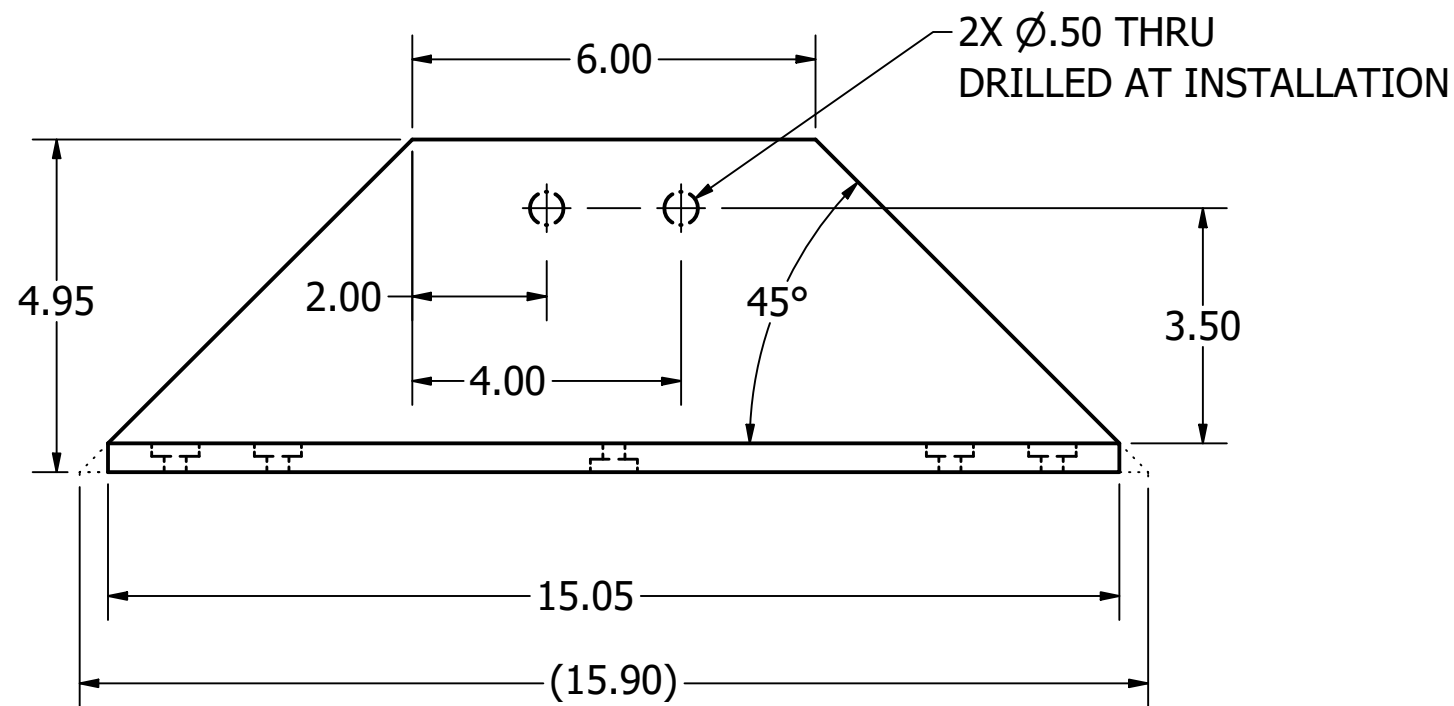
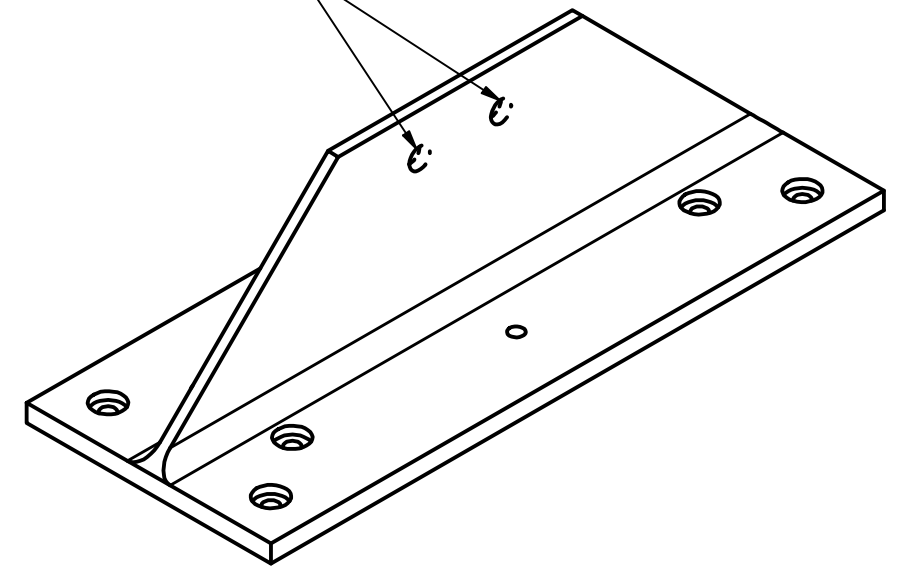



DRILLED AT INSTALLATION



REVISION HISTORY			
REV	DESCRIPTION	DATE	APPROVED
A	INITIAL RELEASE	11/9/2018	CT P&B
B	ADDED C-BORES	2/25/2020	CT P&B
C	ADJUSTED HOLE AND C-BORE SIZE	5/19/2022	CT P&B

NAME 6" Splice Plate				
SIZE 6 x 15.08				
PATENT # 9,920,531		PRODUCT NAME 60-SPL		
SCALE .35	SHEET 1 OF 1	AUTHOR JKD	DATE 8/11/22	REV C