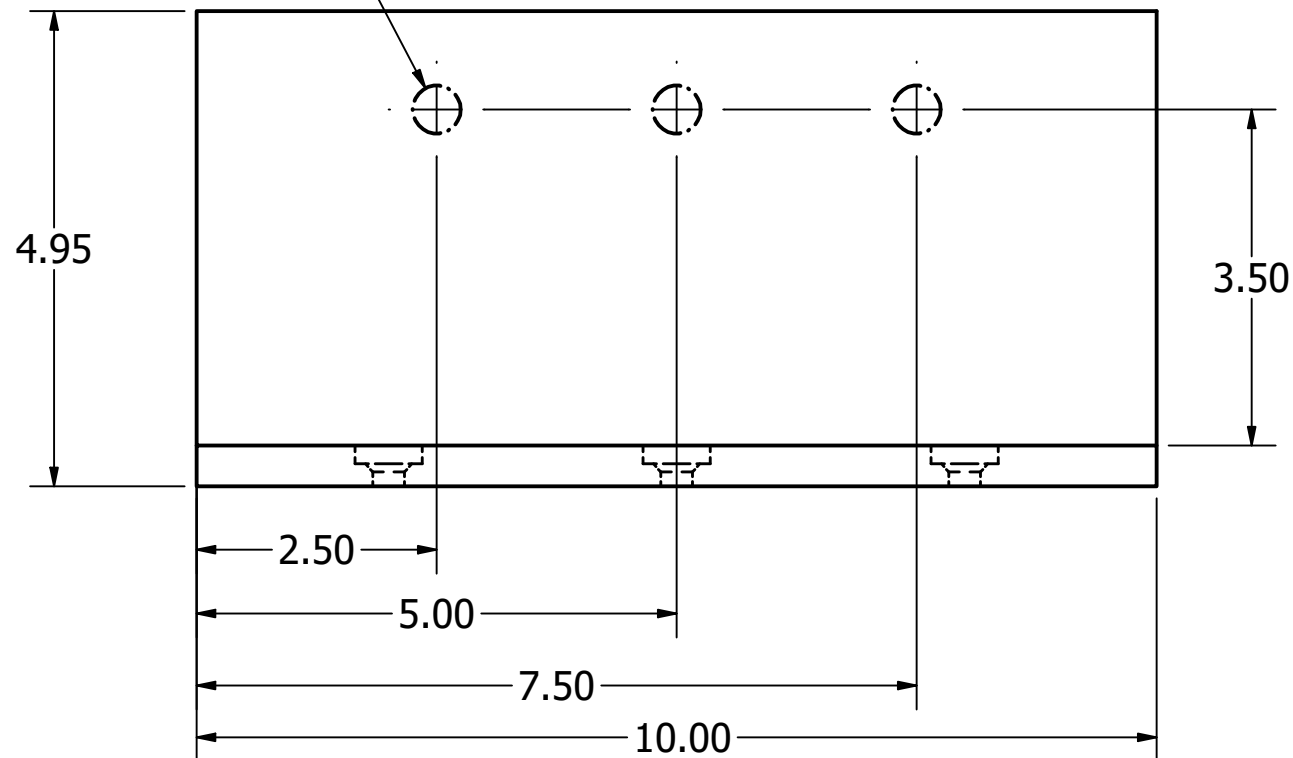


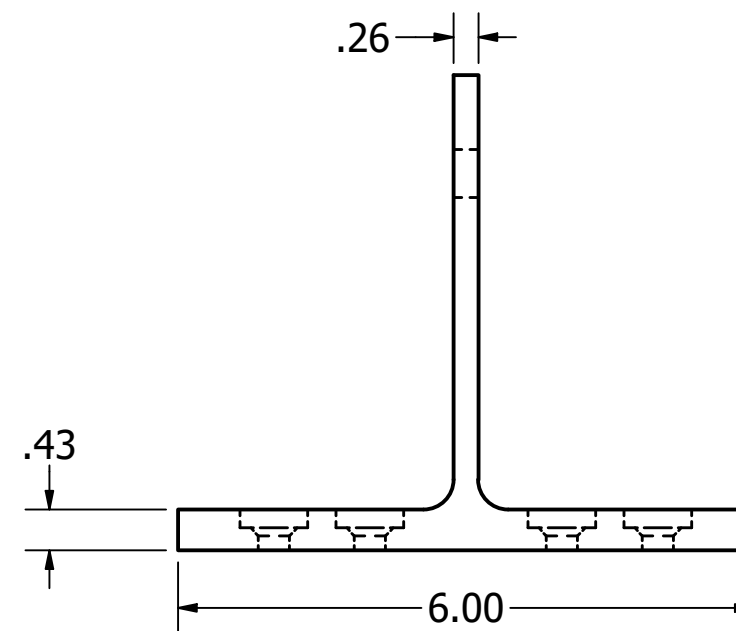
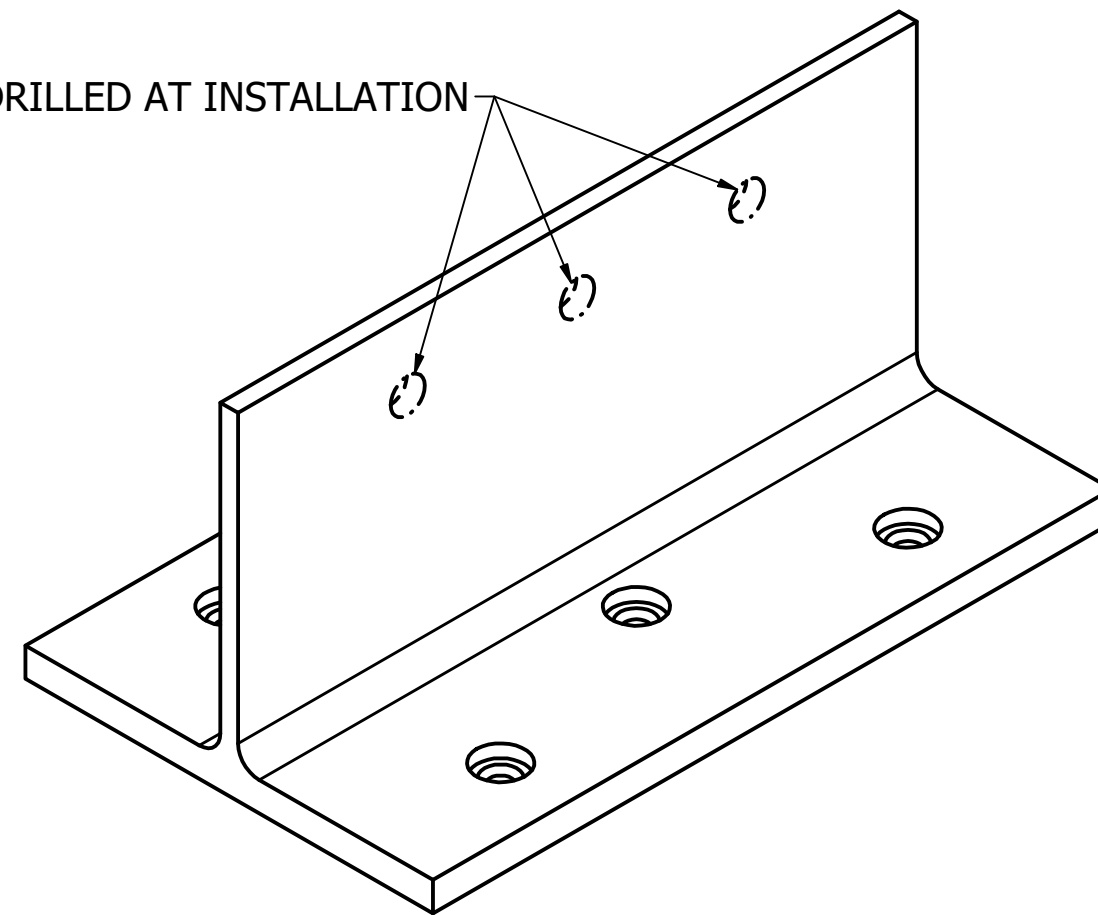
3X \varnothing .50 THRU
DRILLED AT INSTALLATION

6X \varnothing 0.33 THRU
 \sqsubset \varnothing 0.70 ∇ 0.19


6X \sphericalangle \varnothing .48 X 82°



DRILLED AT INSTALLATION



REVISION HISTORY			
REV	DESCRIPTION	DATE	APPROVED
A	INITIAL RELEASE	4/12/2018	CT P&B
B	ADDED C-SINKS AND ADJUSTED HOLE AND C-BORE SIZE	5/5/2022	CT P&B

NAME Standard 6 x 10				
SIZE 6 x 10				
PATENT # 9,920,531		PRODUCT NAME 6010		
SCALE .5	SHEET 1 OF 1	AUTHOR JKD	DATE 8/11/22	REV B