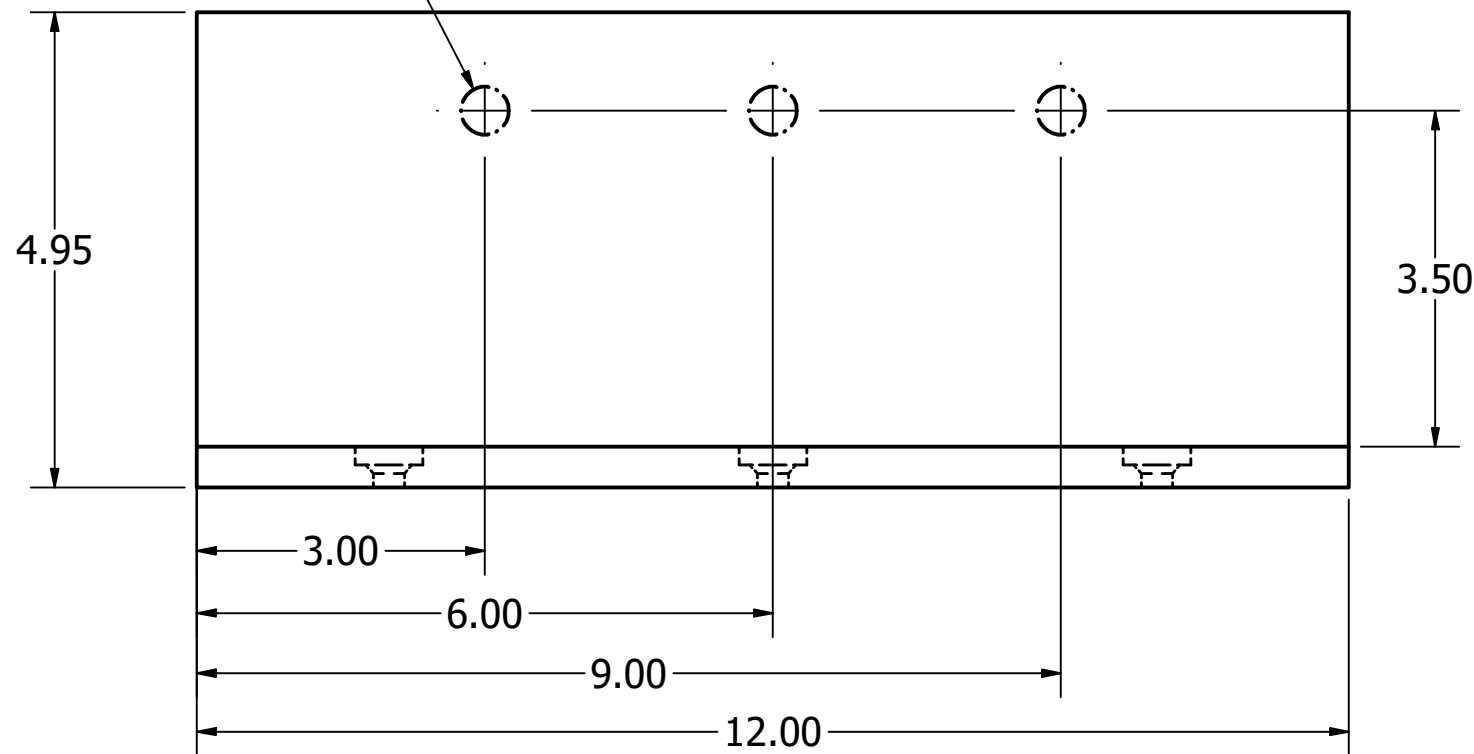


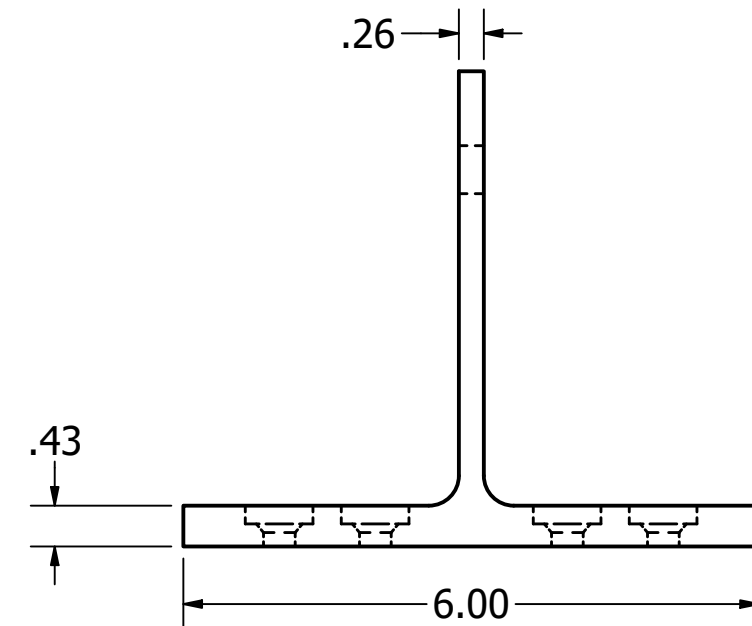
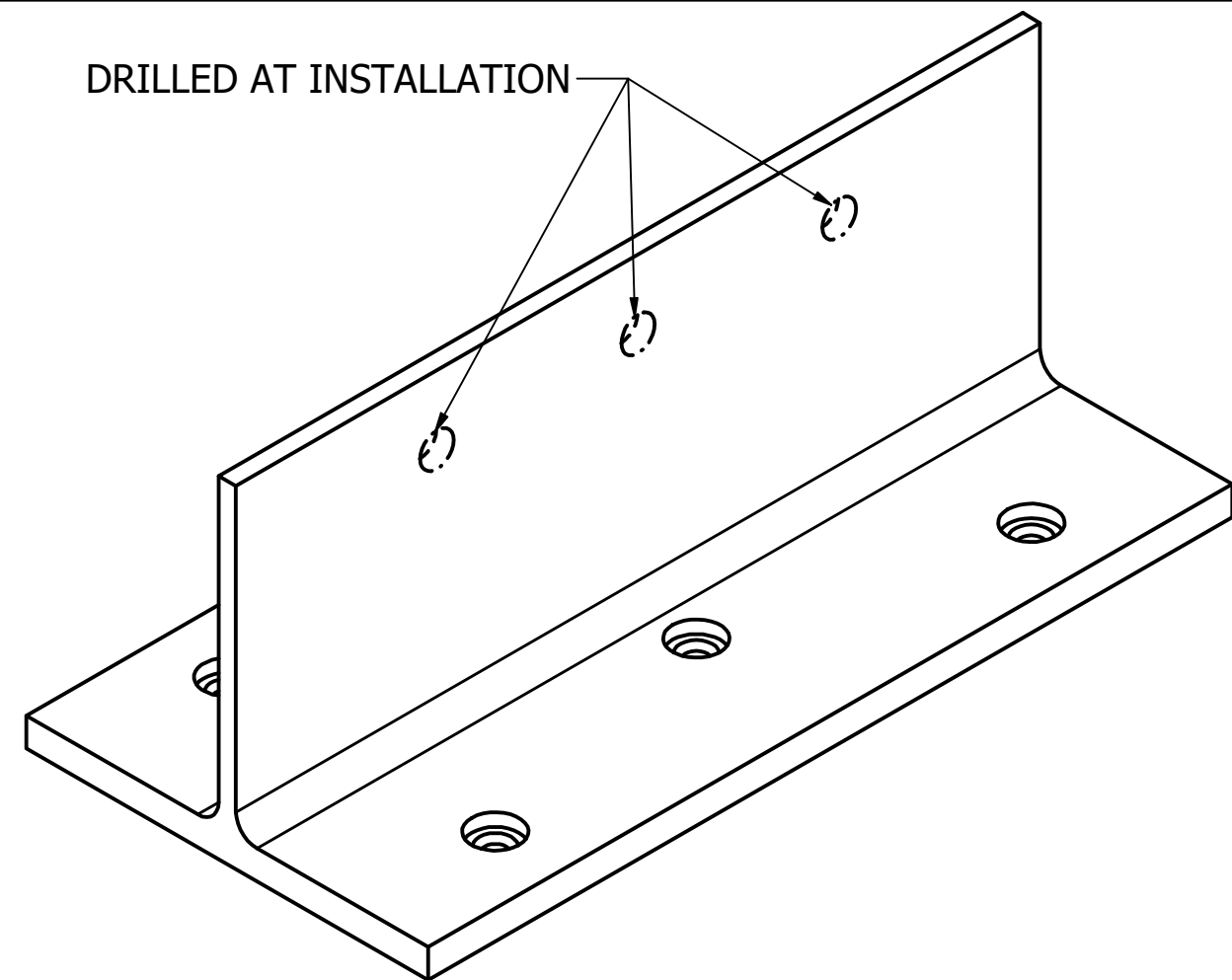
3X Ø.50 THRU
DRILLED AT INSTALLATION

6X Ø.33 THRU
└┘ Ø.70 ▽ 0.19


6X √ Ø.48 X 82°



DRILLED AT INSTALLATION



REVISION HISTORY			
REV	DESCRIPTION	DATE	APPROVED
A	INITIAL RELEASE	4/12/2018	CT P&B
B	ADDED C-SINKS AND ADJUSTED HOLE AND C-BORE SIZE	5/5/2022	CT P&B

NAME Standard 6 x 12				
SIZE 6 x 12				
PATENT # 9,920,531		PRODUCT NAME 6012		
SCALE .5	SHEET 1 OF 1	AUTHOR JKD	DATE 8/11/22	REV B