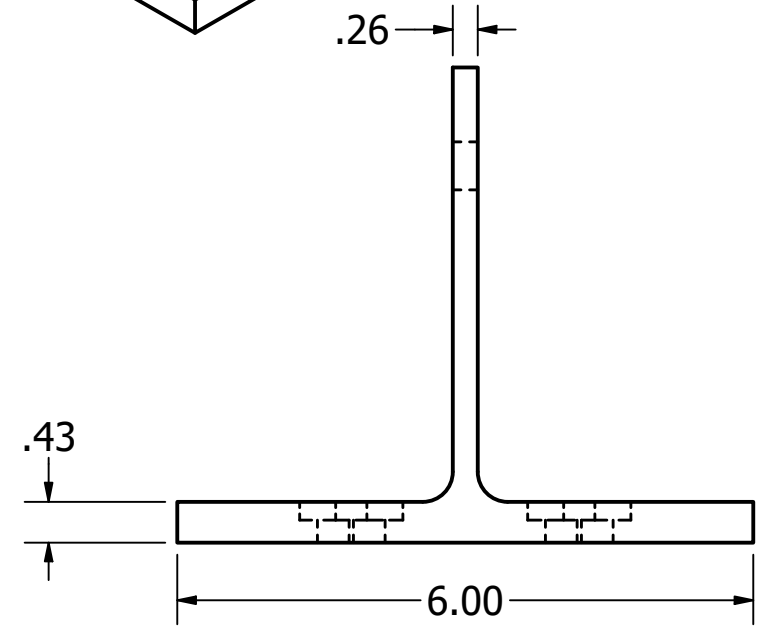
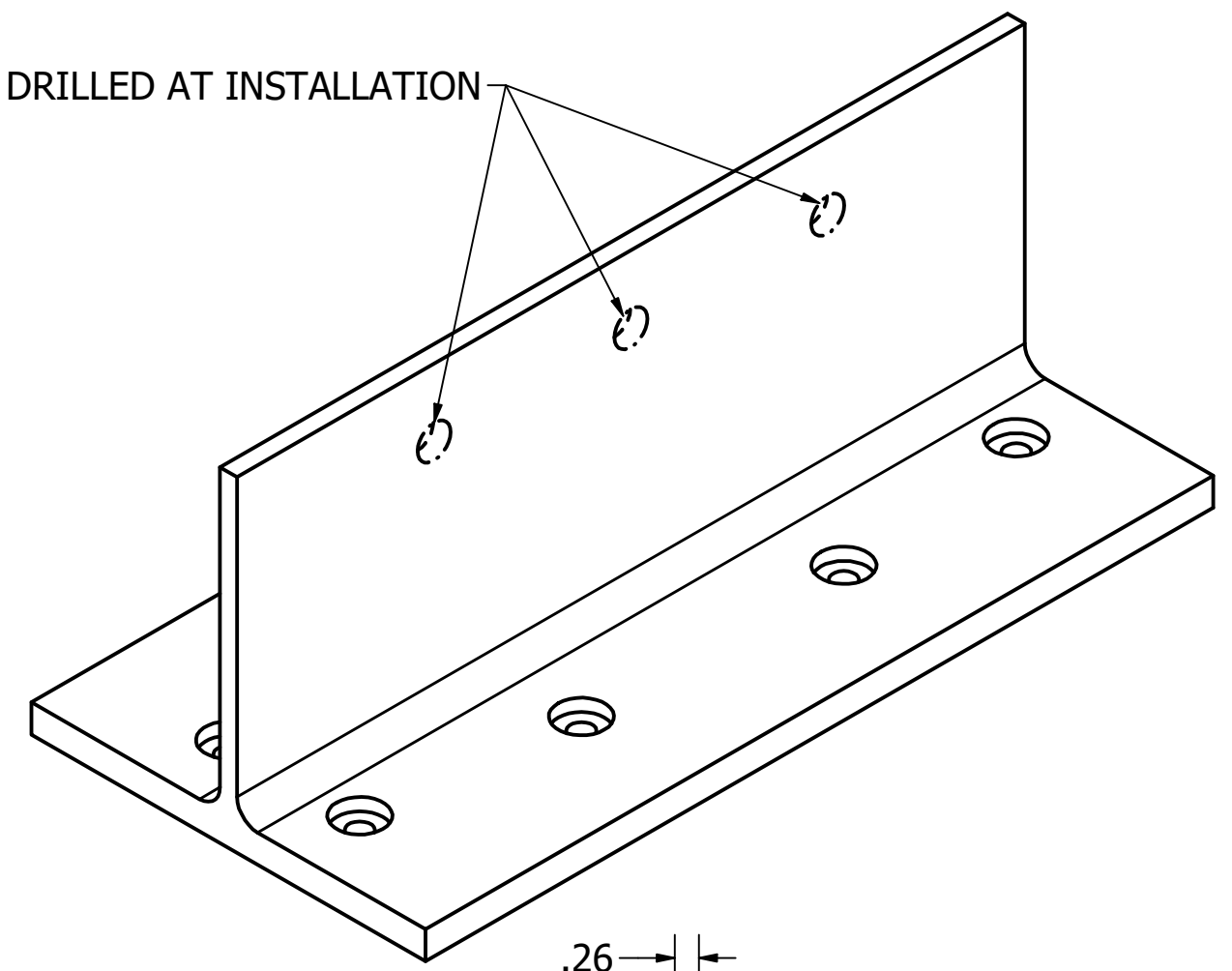


DRILLED AT INSTALLATION



NAME Standard 6 x 12 Alternate				
SIZE 6 x 12				
PATENT # 9,920,531		AUTHOR JKD		
SCALE .5	SHEET 1 OF 1		DATE 8/11/22	REV B

REVISION HISTORY			
REV	DESCRIPTION	DATE	APPROVED
A	INITIAL RELEASE	4/12/2018	CT P&B
B	ADJUSTED HOLE AND C-BORE SIZE	5/27/2022	CT P&B