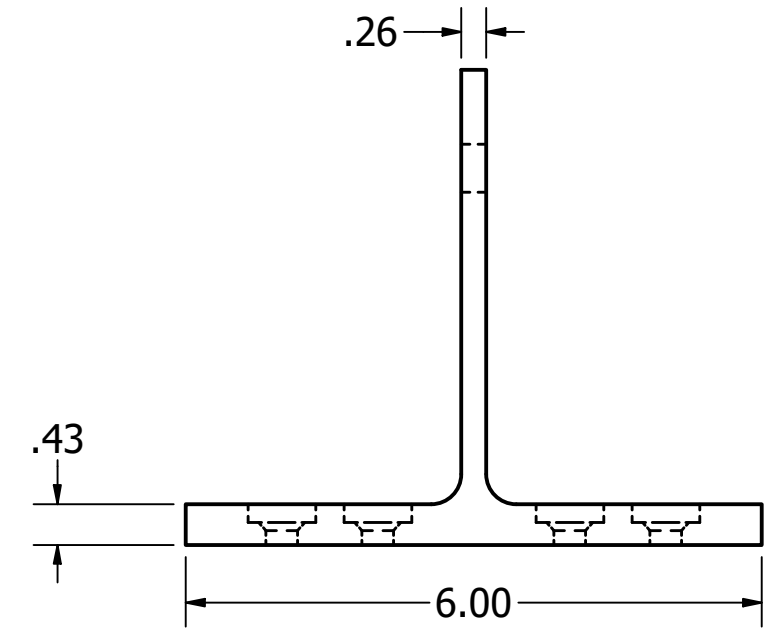
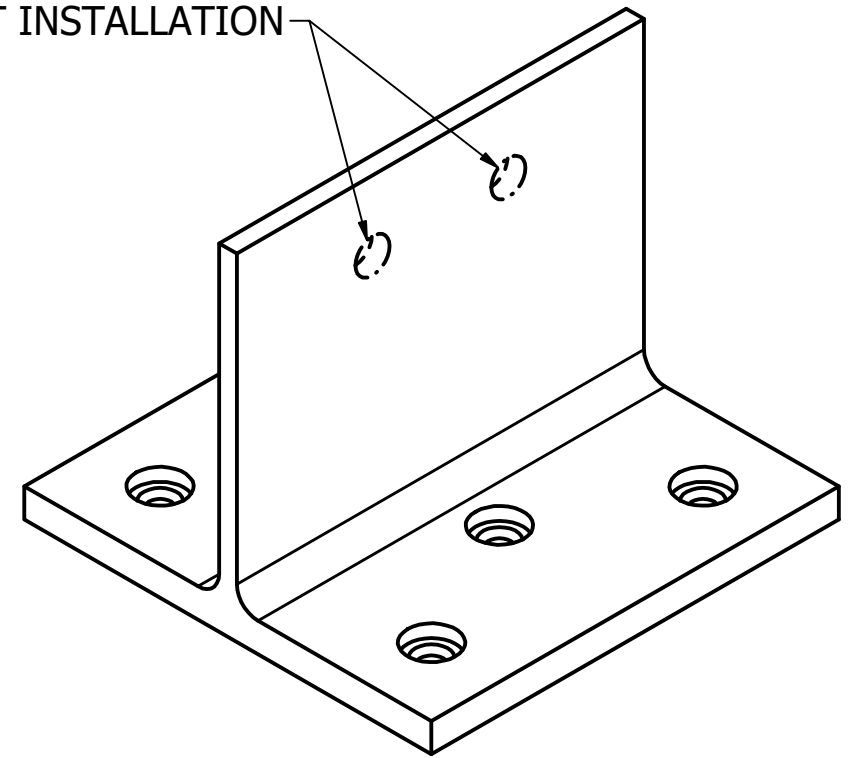



DRILLED AT INSTALLATION



REVISION HISTORY			
REV	DESCRIPTION	DATE	APPROVED
A	INITIAL RELEASE	4/12/2018	CT P&B
B	CHANGED HOLE LOCATIONS	4/26/2019	CT P&B
C	ADDED C-SINKS AND ADJUSTED HOLE AND C-BORE SIZE	5/3/2022	CT P&B

NAME Standard 6 x 6		 Post & Beam		
SIZE 6 x 6				
PATENT # 9,920,531		PRODUCT NAME 6060		
SCALE .5	SHEET 1 OF 1	AUTHOR JKD	DATE 8/11/22	REV C