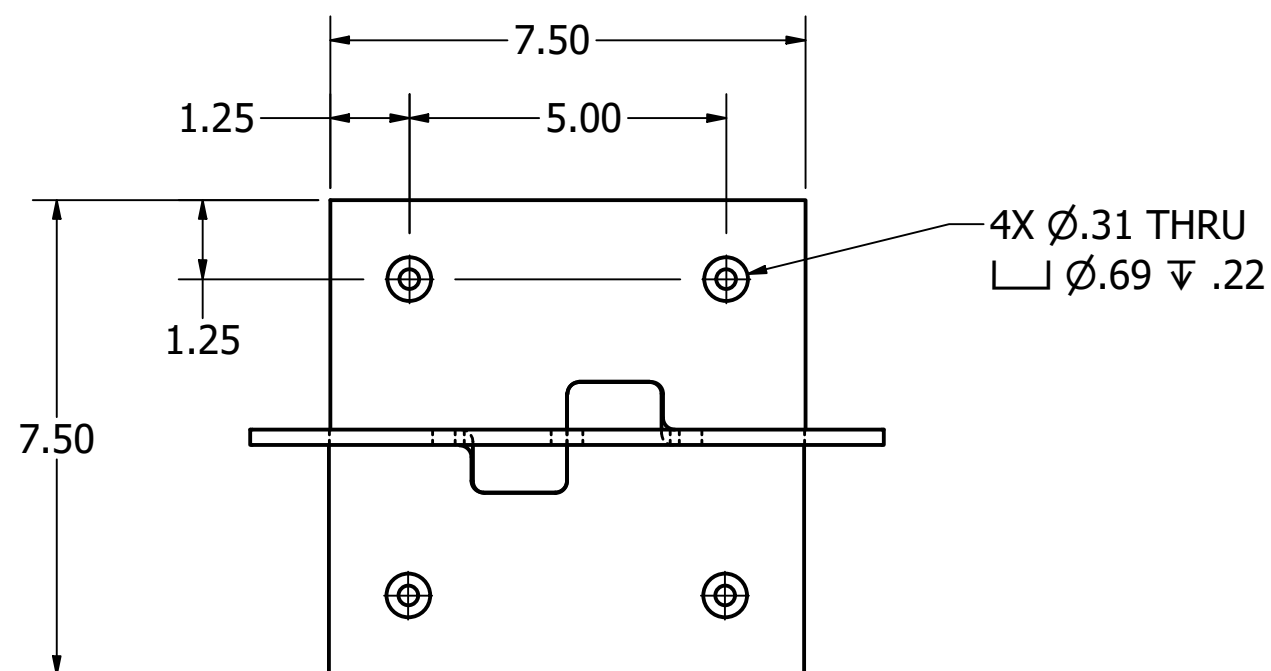
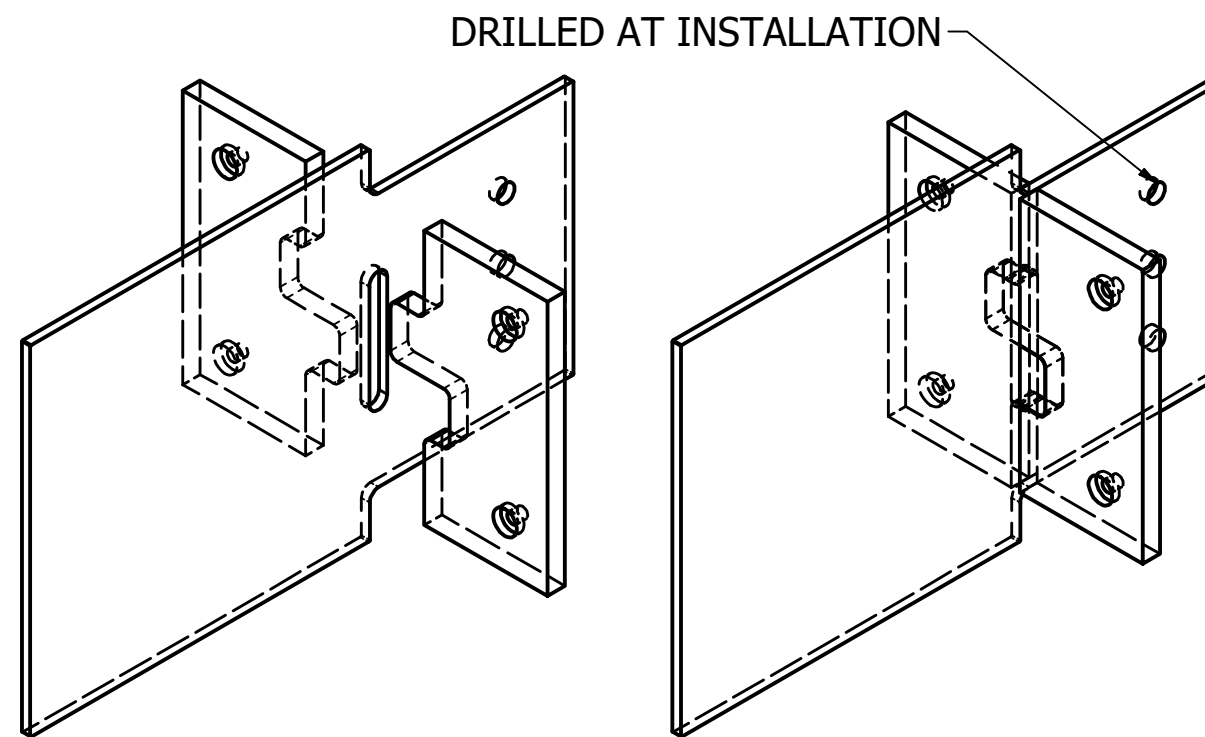
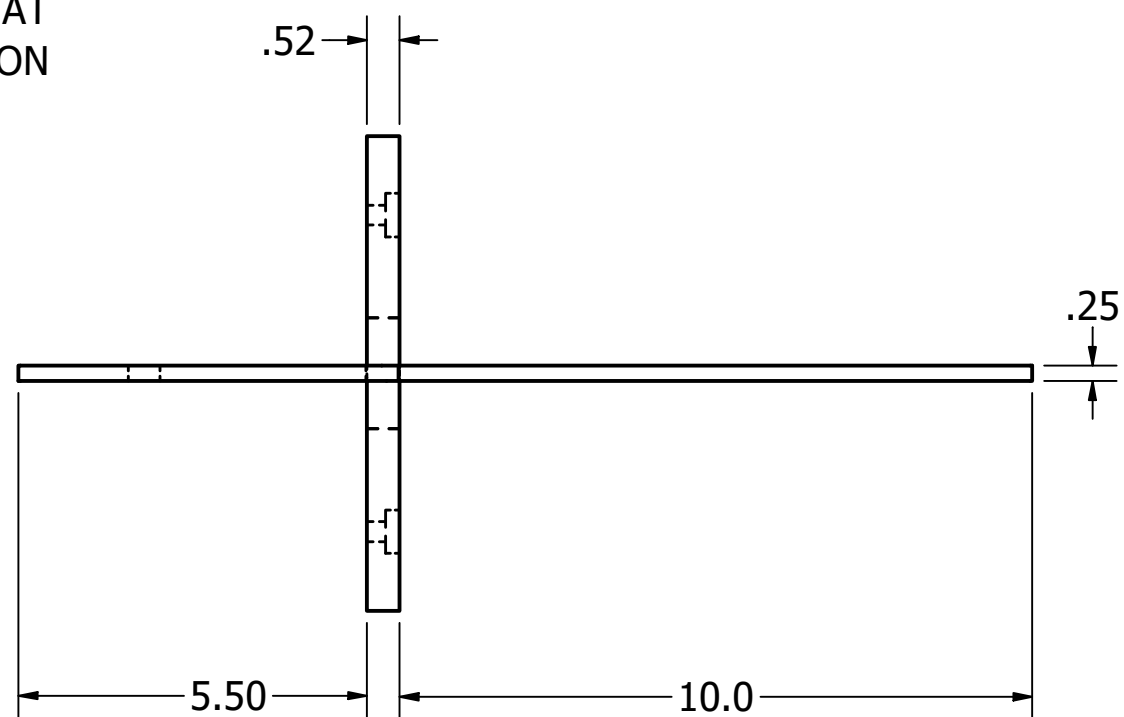



3X Ø.50 THRU
DRILLED AT
INSTALLATION



NAME 7.5" - 3 Way Connector				
SIZE 7.5"				
PATENT # 9,920,531		75-3W		
SCALE .25	SHEET 1 OF 1	AUTHOR JKD	DATE 8/11/22	REV C

REVISION HISTORY

REV	DESCRIPTION	DATE	APPROVED
A	INITIAL RELEASE	2/5/21	CT P&B
B	CHANGED HOLE LOCATIONS	4/19/2021	CT P&B
C	BEARING PLATE MATERIAL CHANGED TO HDPE. CORNER RADII ADDED TO VERTICAL PLATE SIDE CUT	10/13/2021	CT P&B