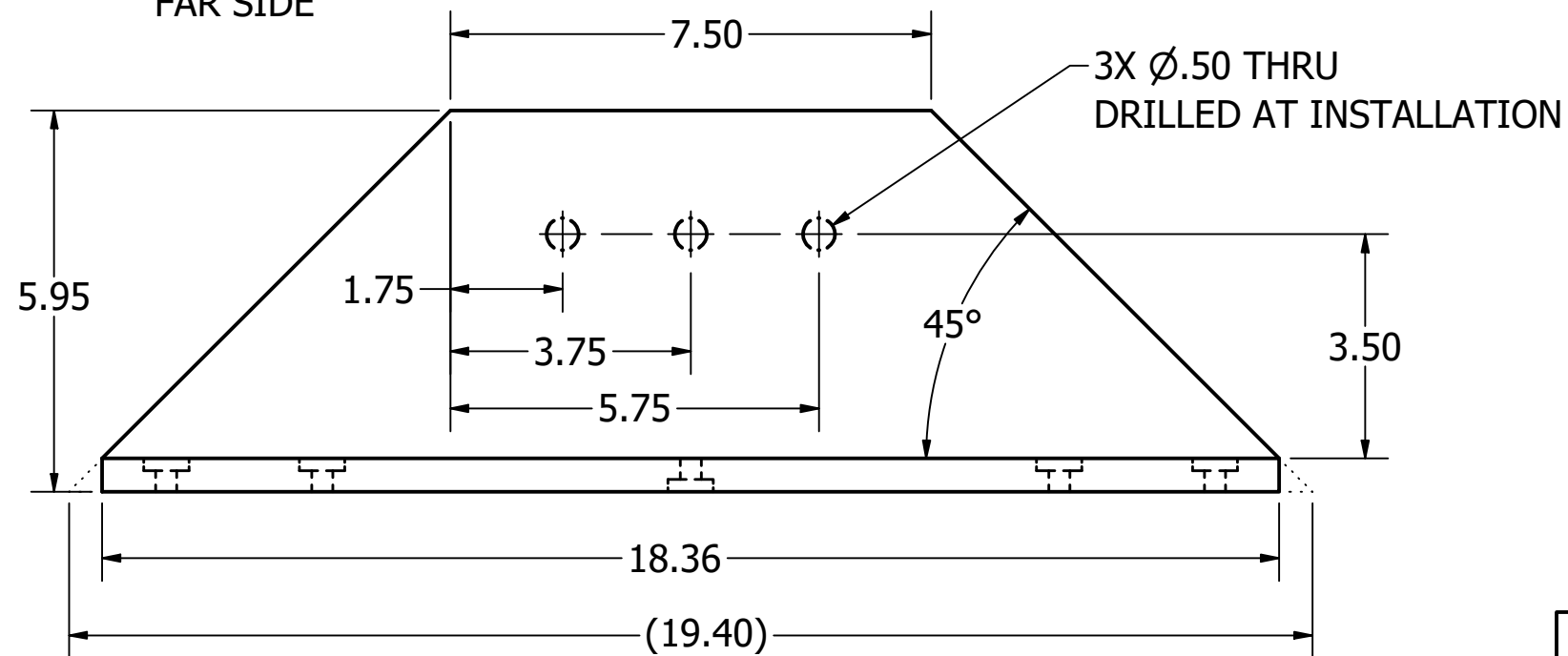


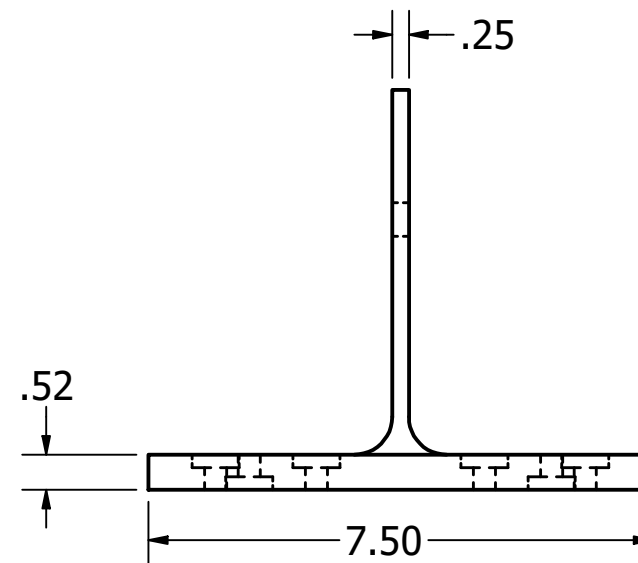
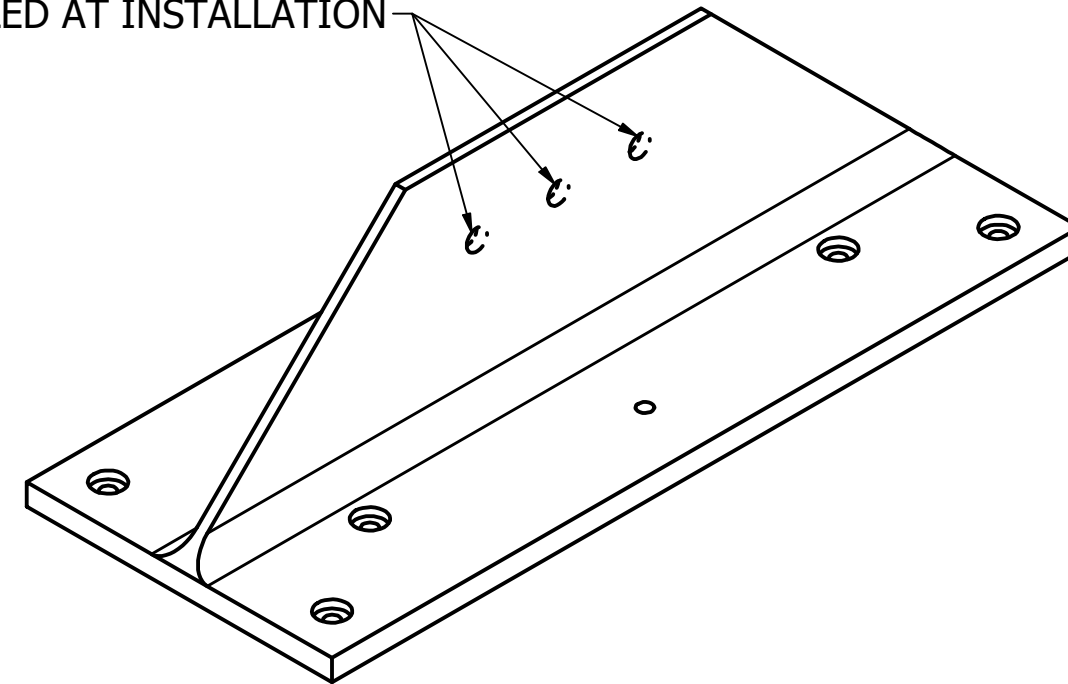
2X Ø.33 THRU  
 □ Ø.70 ▽ .19  
 FAR SIDE

8X Ø.33 THRU  
 □ Ø.70 ▽ .19



3X Ø.50 THRU  
 DRILLED AT INSTALLATION

DRILLED AT INSTALLATION



NAME 7.5" Splice Plate				
SIZE 7.5 x 18.36				
PATENT # 9,920,531		PRODUCT NAME 75-SPL		
SCALE .35	SHEET 1 OF 1	AUTHOR JKD	DATE 8/11/22	REV B

REVISION HISTORY

REV	DESCRIPTION	DATE	APPROVED
A	INITIAL RELEASE	1/25/2021	CTPB
B	ADJUSTED HOLE AND C-BORE SIZE	5/18/2022	CTPB