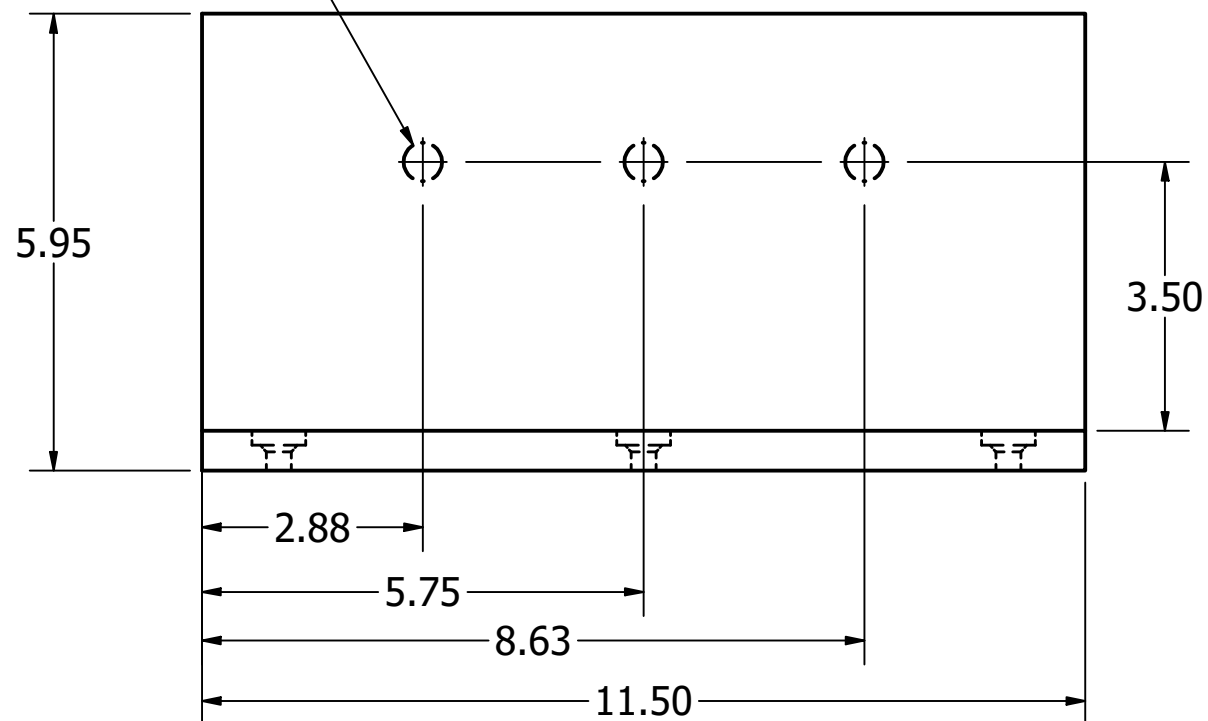


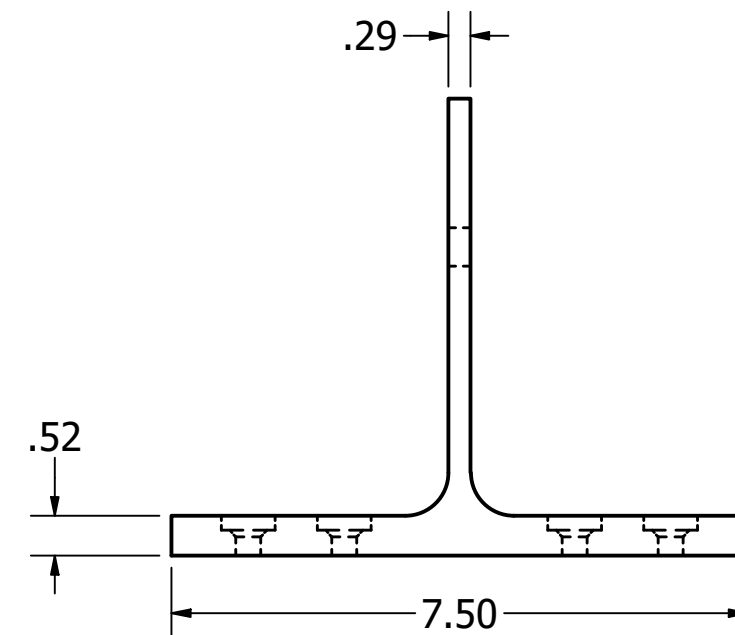
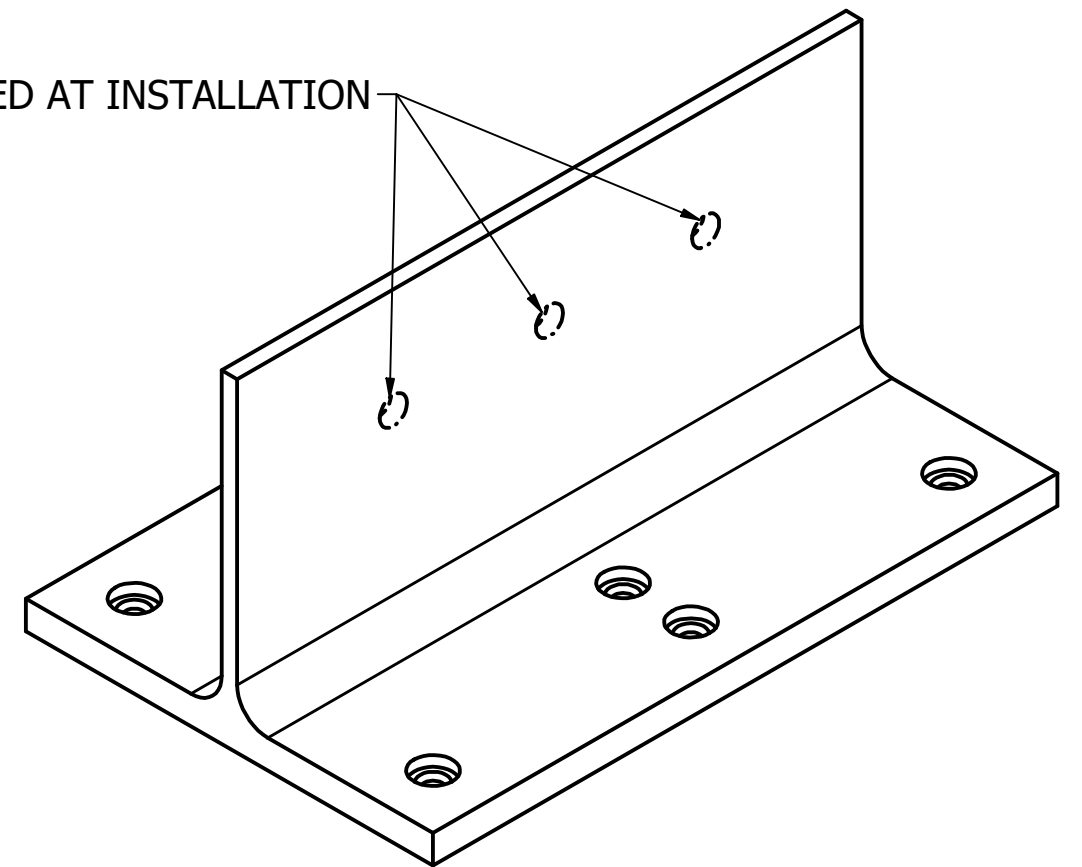
3X \varnothing .50 THRU
DRILLED AT INSTALLATION

8X \varnothing .33 THRU
 \sqsupset \varnothing .70 ∇ .19

8X \sphericalangle \varnothing .48 X 82°




DRILLED AT INSTALLATION



REVISION HISTORY

REV	DESCRIPTION	DATE	APPROVED
A	INITIAL RELEASE	6/29/18	CT P&B
B	ADDED C-SINKS AND ADJUSTED HOLE AND C-BORE SIZE	4/29/2022	CT P&B

NAME Standard 7.5 x 11.5		 POST & BEAM		
SIZE 7.5 x 11.5				
PATENT # 9,920,531		AUTHOR JKD		REV B
SCALE .4	SHEET 1 OF 1		DATE 6/29/18	