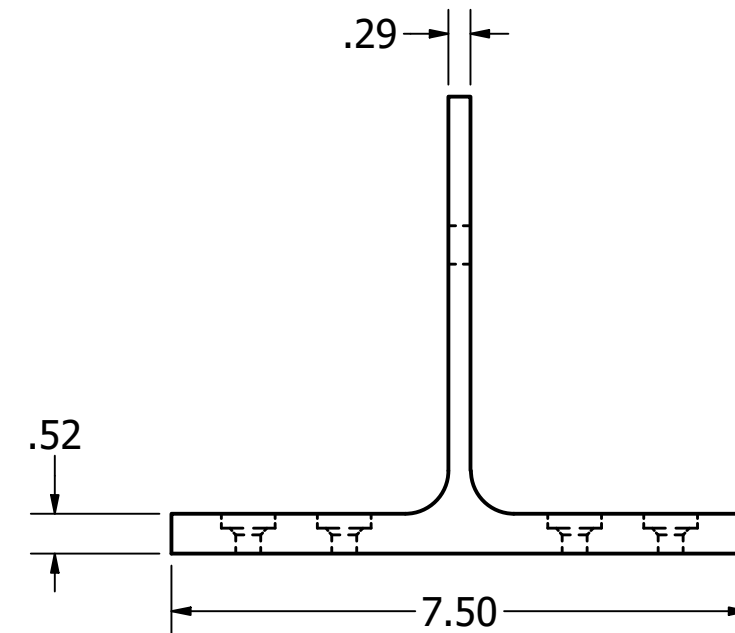
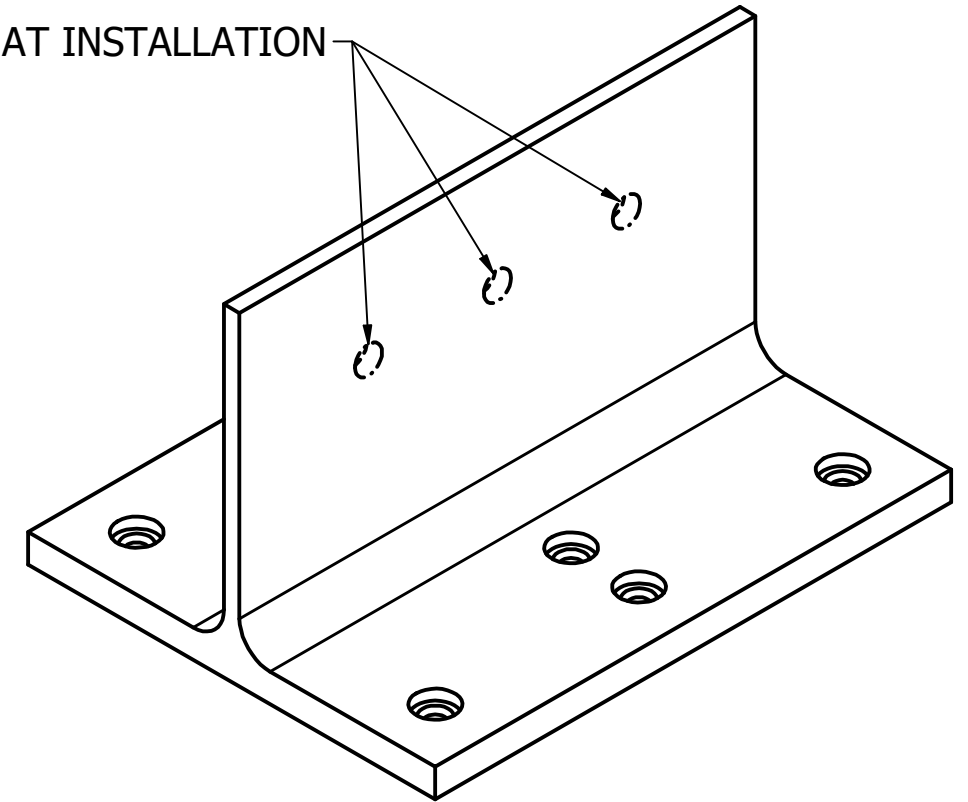


DRILLED AT INSTALLATION



REVISION HISTORY

| REV | DESCRIPTION | DATE | APPROVED |
|-----|---|-----------|----------|
| A | INITIAL RELEASE | 7/5/2018 | CT P&B |
| B | ADDED C-SINKS AND ADJUSTED HOLE AND C-BORE SIZE | 4/27/2022 | CT P&B |

| | | | | |
|-----------------------|--------------|---|-----------------|----------|
| NAME 7.5 x 9.5 | |  Post & Beam | | |
| SIZE 7.5 x 9.5 | | | | |
| PATENT # 9,920,531 | | PRODUCT NAME 7595 | | |
| SCALE .4 | SHEET 1 OF 1 | AUTHOR JKD | DATE 8/11/22 | REV B |