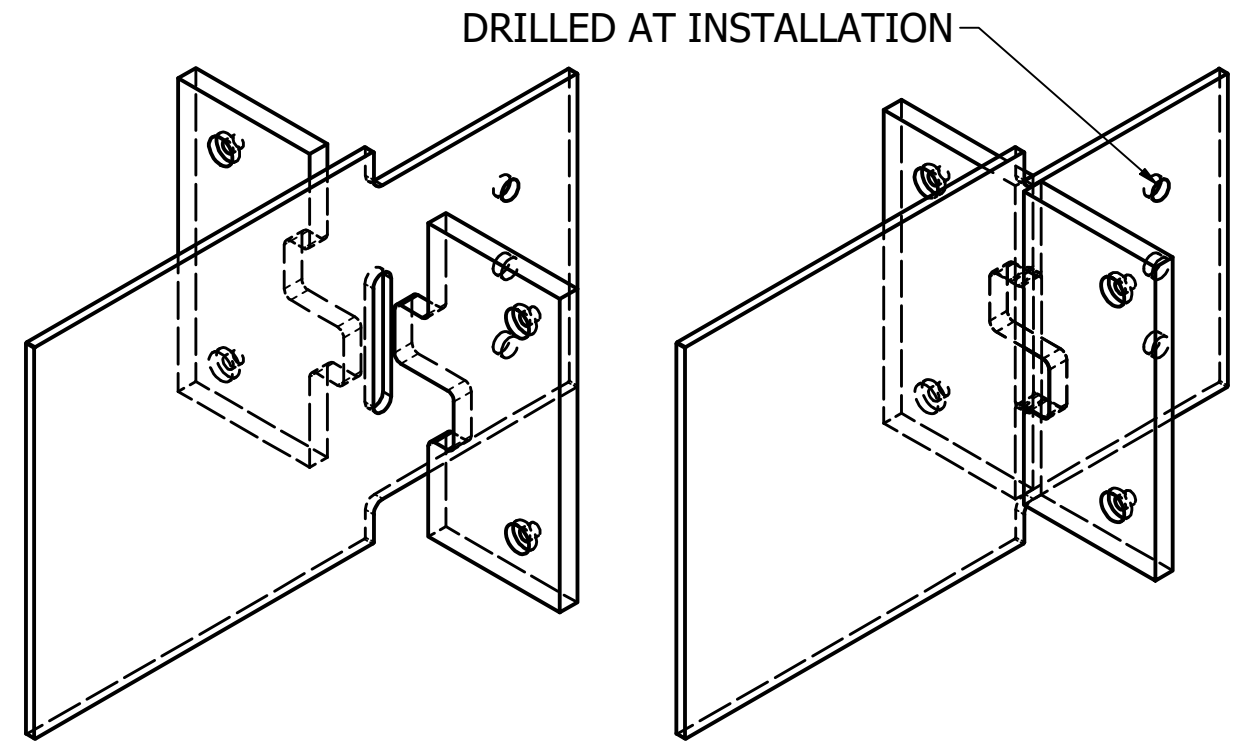
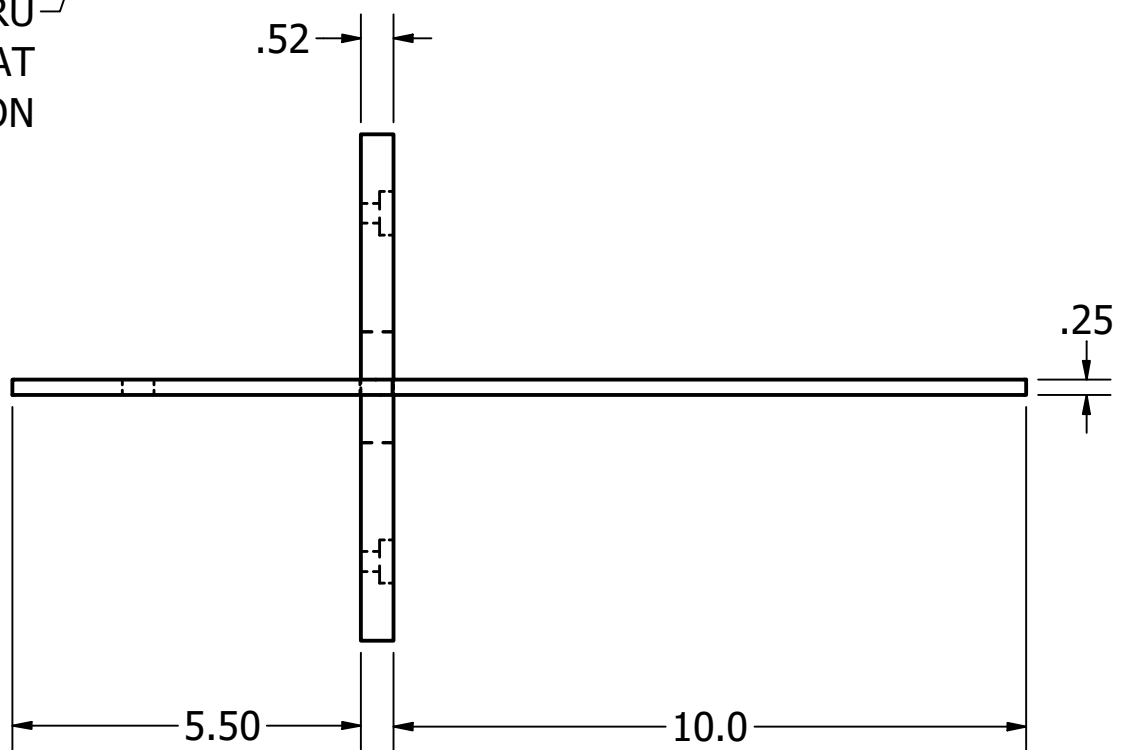
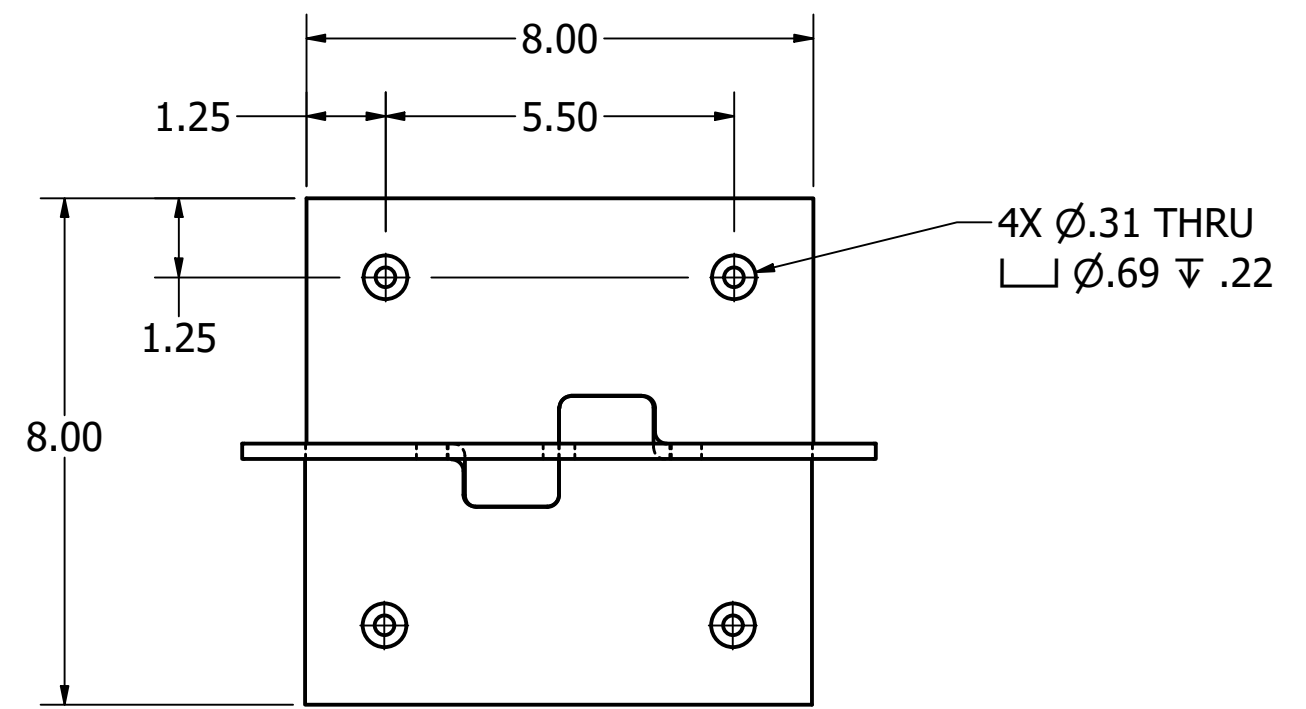


3X Ø.50 THRU
DRILLED AT
INSTALLATION




DRILLED AT INSTALLATION



4X Ø.31 THRU
└─┬─┘ Ø.69 ▽ .22

REVISION HISTORY			
REV	DESCRIPTION	DATE	APPROVED
A	INITIAL RELEASE	4/12/2018	CT P&B
B	BEARING PLATE MATERIAL CHANGED TO HDPE. CORNER RADII ADDED TO VERTICAL PLATE SIDE CUT	10/13/21	CT P&B

NAME 8" - 3 Way Connector				
SIZE 8"				
PATENT # 9,920,531		PRODUCT NAME 80-3W		
SCALE .25	SHEET 1 OF 1	AUTHOR JKD	DATE 8/11/22	REV B