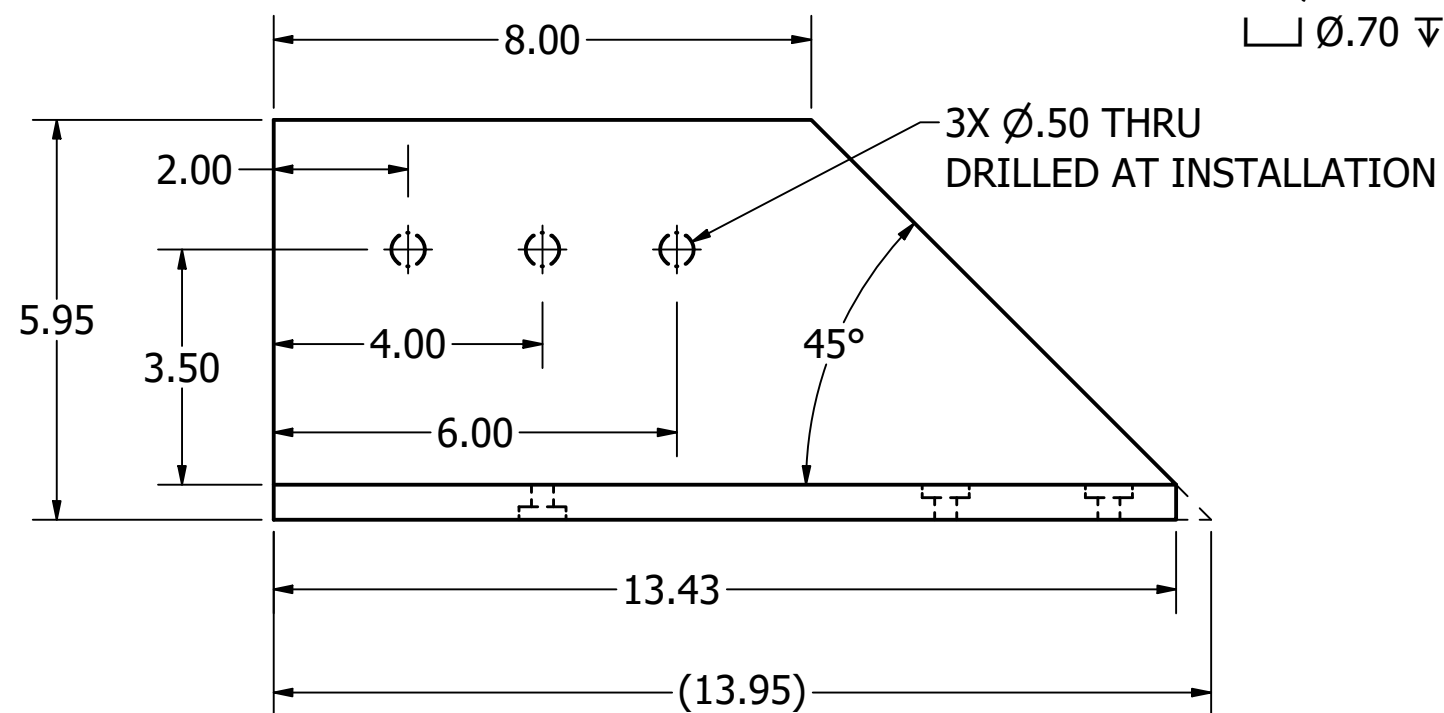


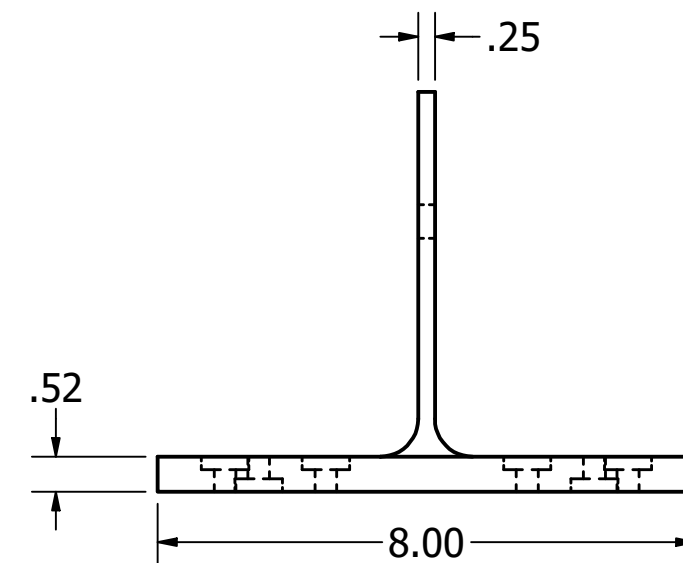
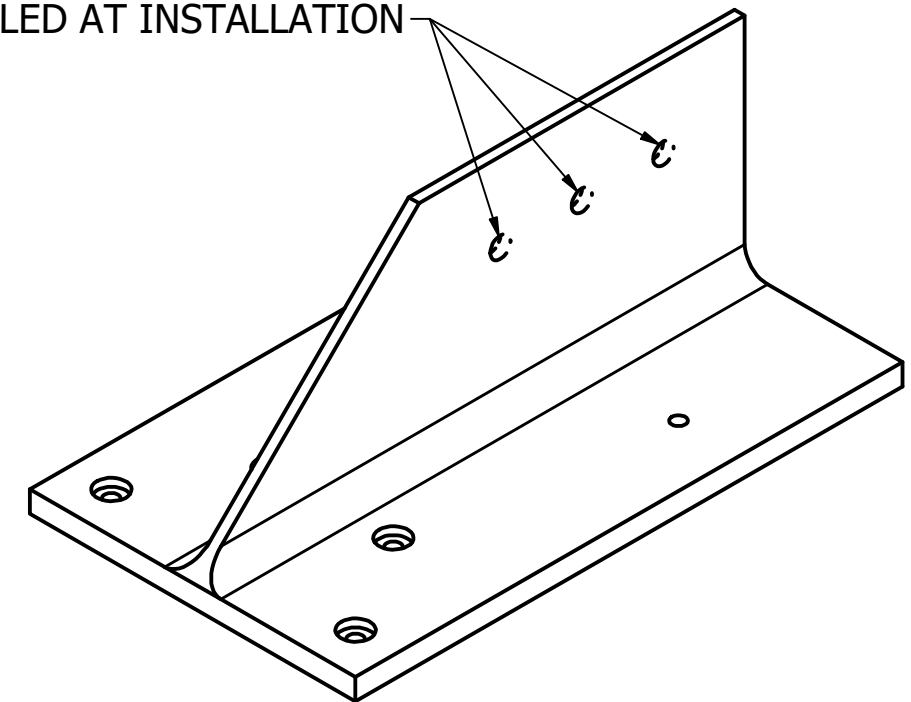
2X Ø.33 THRU
 L Ø.70 ▽ .19
 FAR SIDE

4X Ø.33 THRU
 L Ø.70 ▽ .19



3X Ø.50 THRU
 DRILLED AT INSTALLATION

DRILLED AT INSTALLATION



REVISION HISTORY			
REV	DESCRIPTION	DATE	APPROVED
A	INITIAL RELEASE	11/9/2018	CT P&B
B	MOVED HOLE LOCATIONS AND ADDED C-BORES	2/12/2020	CT P&B
C	PRODUCT NAME WAS 80-SPLCOR	9/28/2021	CT P&B
D	ADJUSTED HOLE AND C-BORE SIZE	5/17/2022	CT P&B

NAME 8" Corner Connector				
SIZE 8 x 13.43				
PATENT # 9,920,531		PRODUCT NAME 80-COR		
SCALE .35	SHEET 1 OF 1	AUTHOR JKD	DATE 8/11/22	REV D