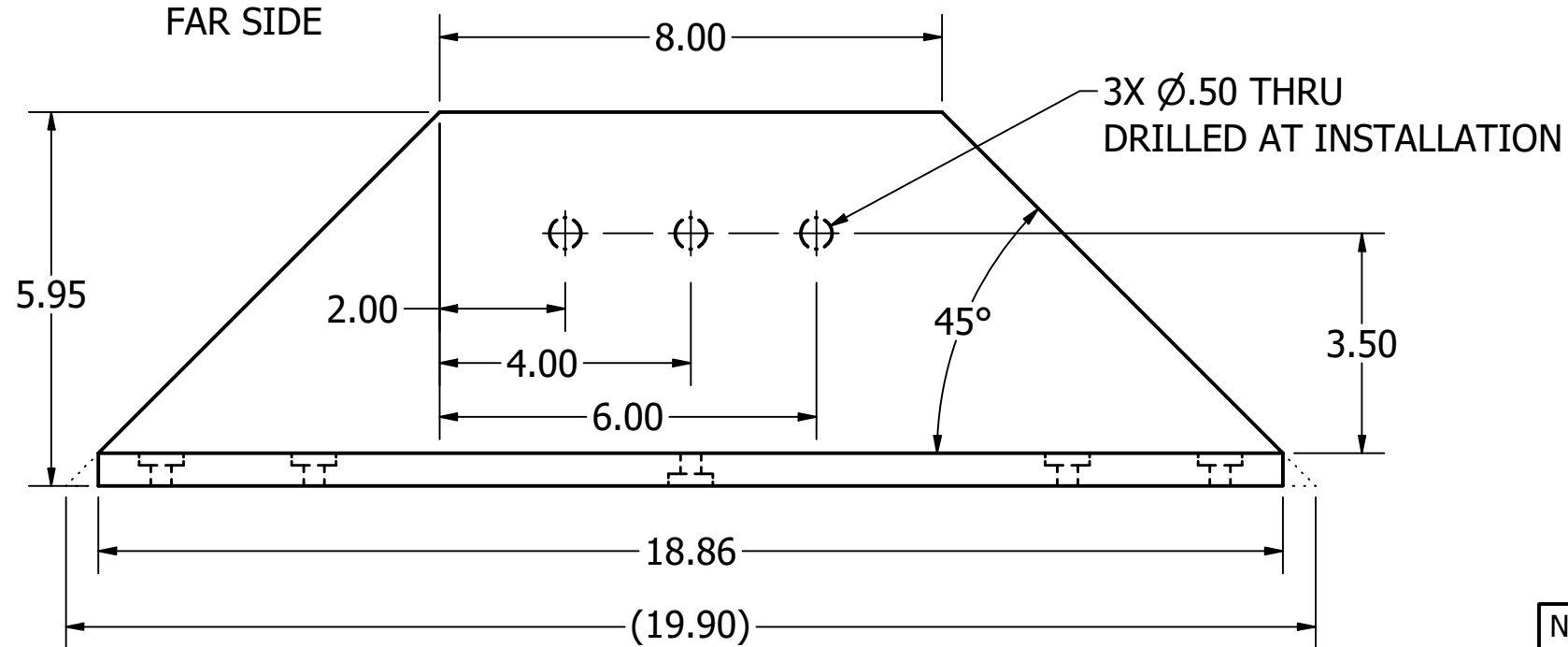


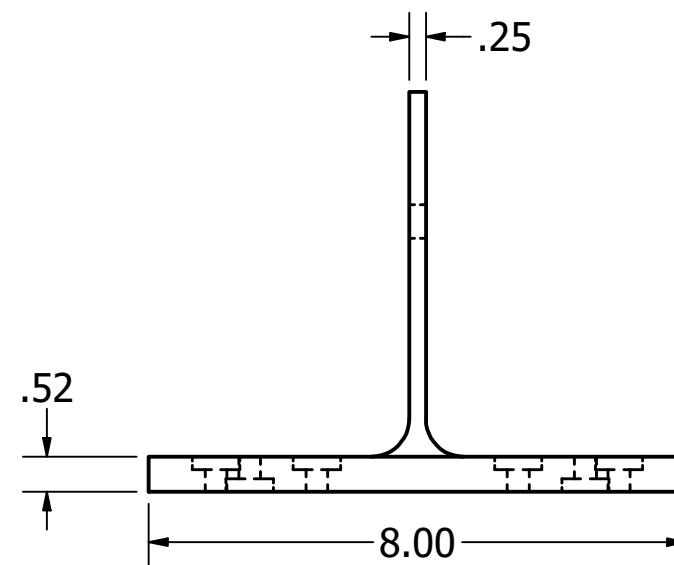
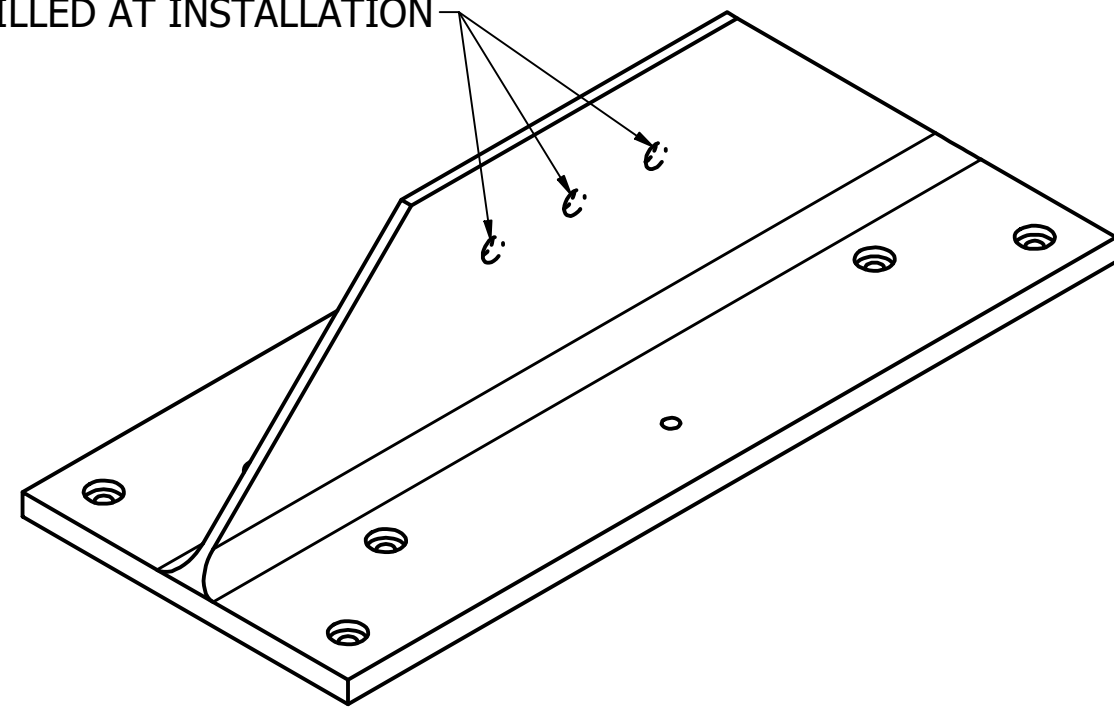
2X Ø.33 THRU  
 □ Ø.70 ▽ .19  
 FAR SIDE

8X Ø.33 THRU  
 □ Ø.70 ▽ .19




3X Ø.50 THRU  
 DRILLED AT INSTALLATION

DRILLED AT INSTALLATION



REVISION HISTORY			
REV	DESCRIPTION	DATE	APPROVED
A	INITIAL RELEASE	11/9/2018	CT P&B
B	MOVED HOLE LOCATIONS AND ADDED C-BORES	2/25/2020	CT P&B
C	ADJUSTED HOLE AND C-BORE SIZE	5/18/2022	CT P&B

NAME 8" Splice Plate				
SIZE 8 x 18.86				
PATENT # 9,920,531		PRODUCT NAME 80-SPL		
SCALE .35	SHEET 1 OF 1	AUTHOR JKD	DATE 8/11/22	REV C