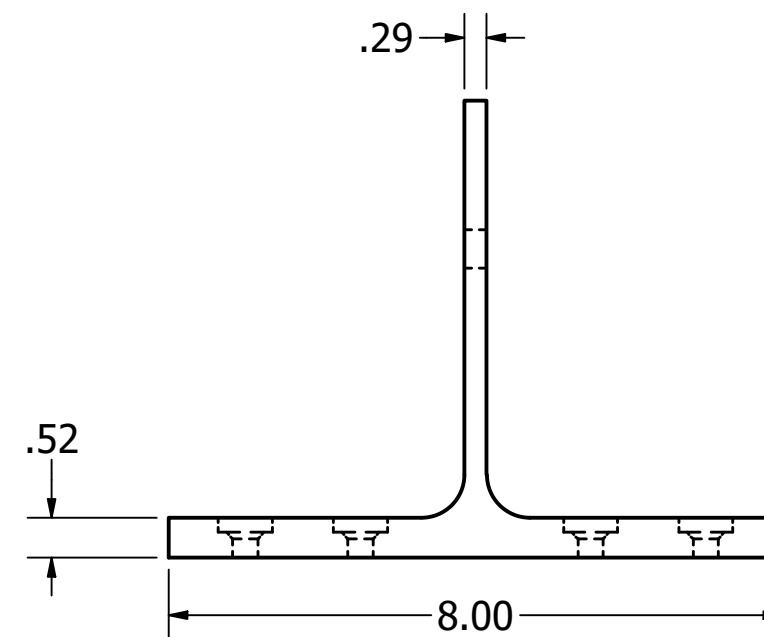
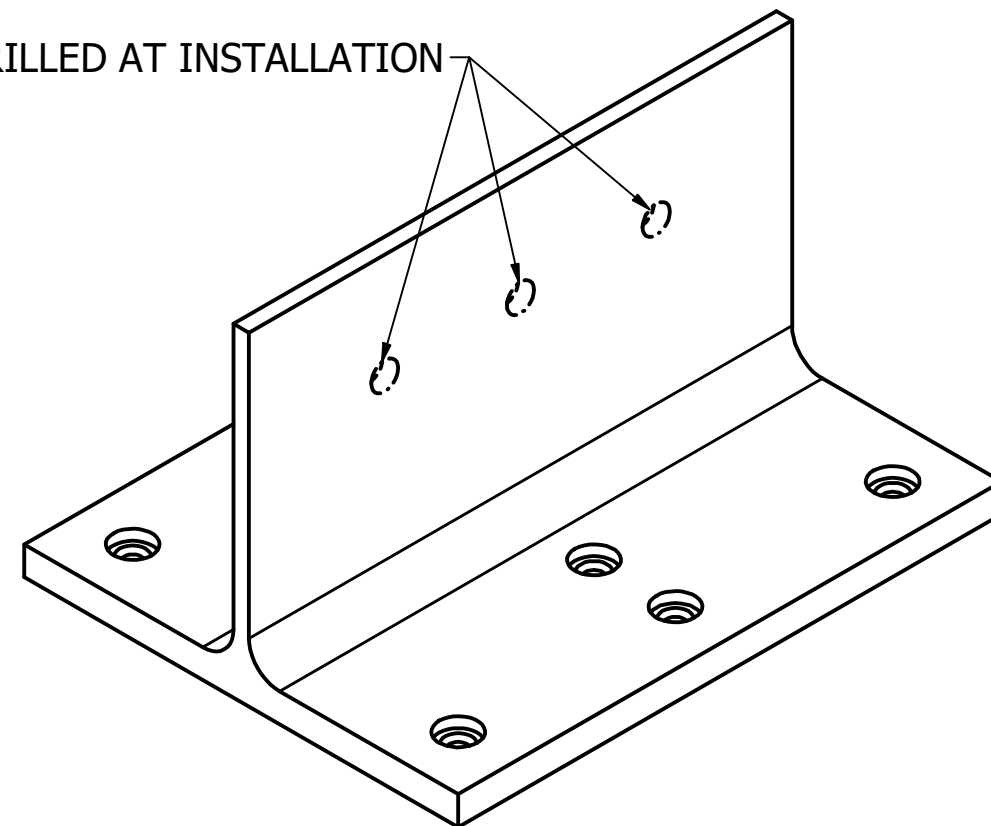


3X  $\varnothing$ .50 THRU  
DRILLED AT INSTALLATION


8X  $\varnothing$ .33 THRU  
 $\sqcap$   $\varnothing$ .70  $\nabla$  .19

8X  $\sphericalangle$   $\varnothing$ .480 X 82°

DRILLED AT INSTALLATION



REVISION HISTORY			
REV	DESCRIPTION	DATE	APPROVED
A	INITIAL RELEASE	4/12/2018	CT P&B
B	ADDED C-SINKS AND ADJUSTED HOLE AND C-BORE SIZE	4/24/2022	CTP P&B

NAME Standard 8 x 10				
SIZE 8 x 10				
PATENT # 9,920,531		PRODUCT NAME 8010		
SCALE .4	SHEET 1 OF 1	AUTHOR JKD	DATE 8/11/22	REV B