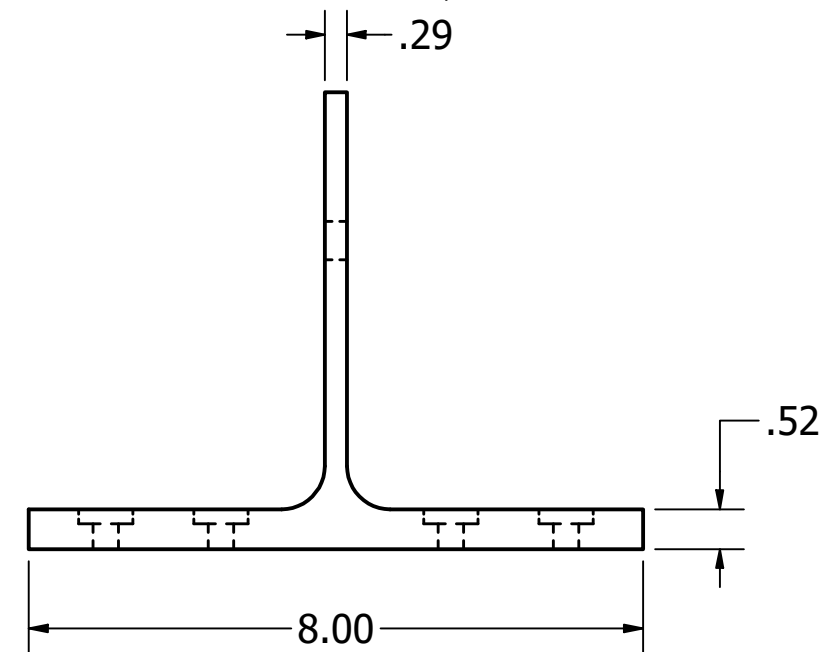
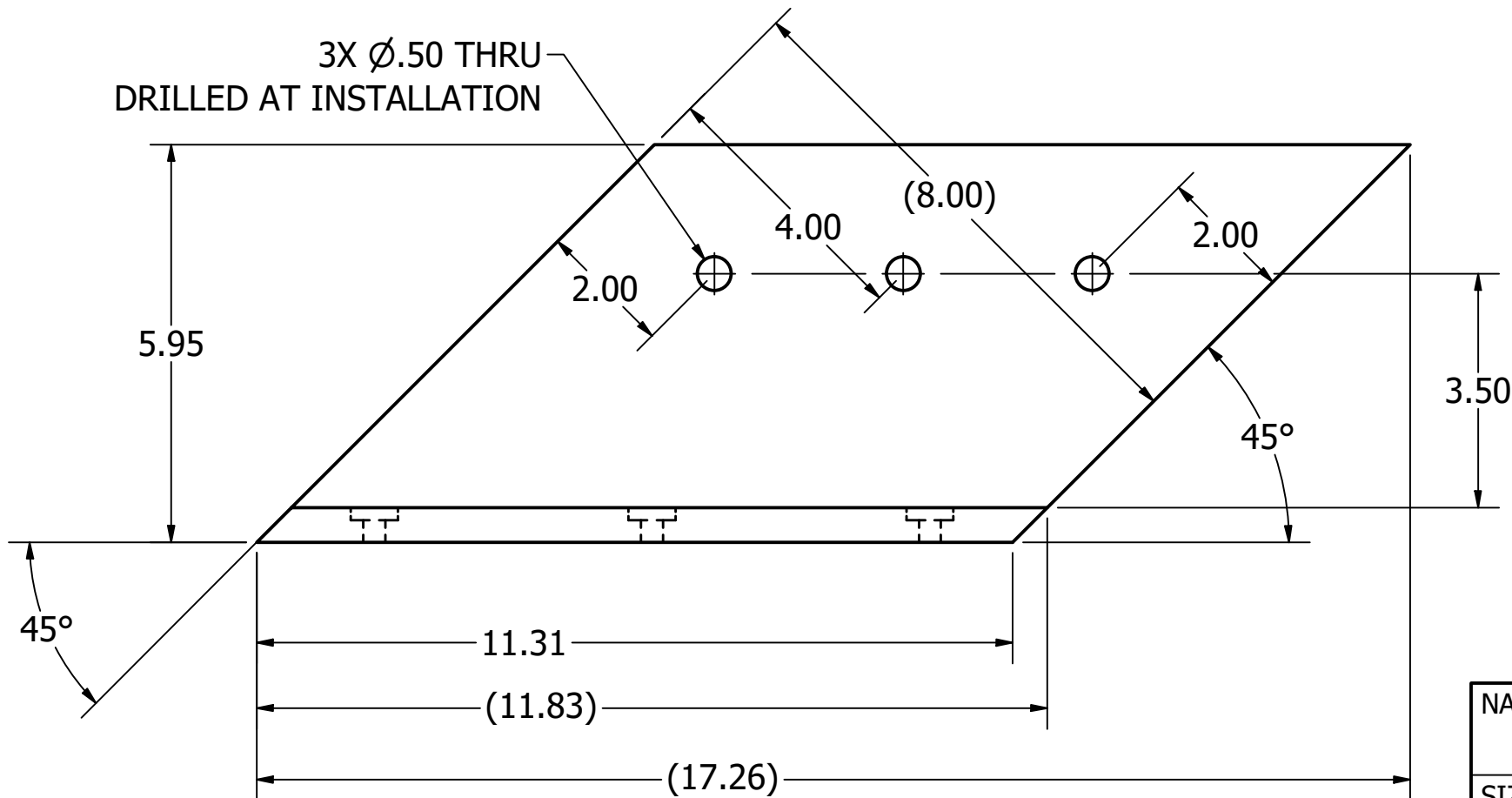
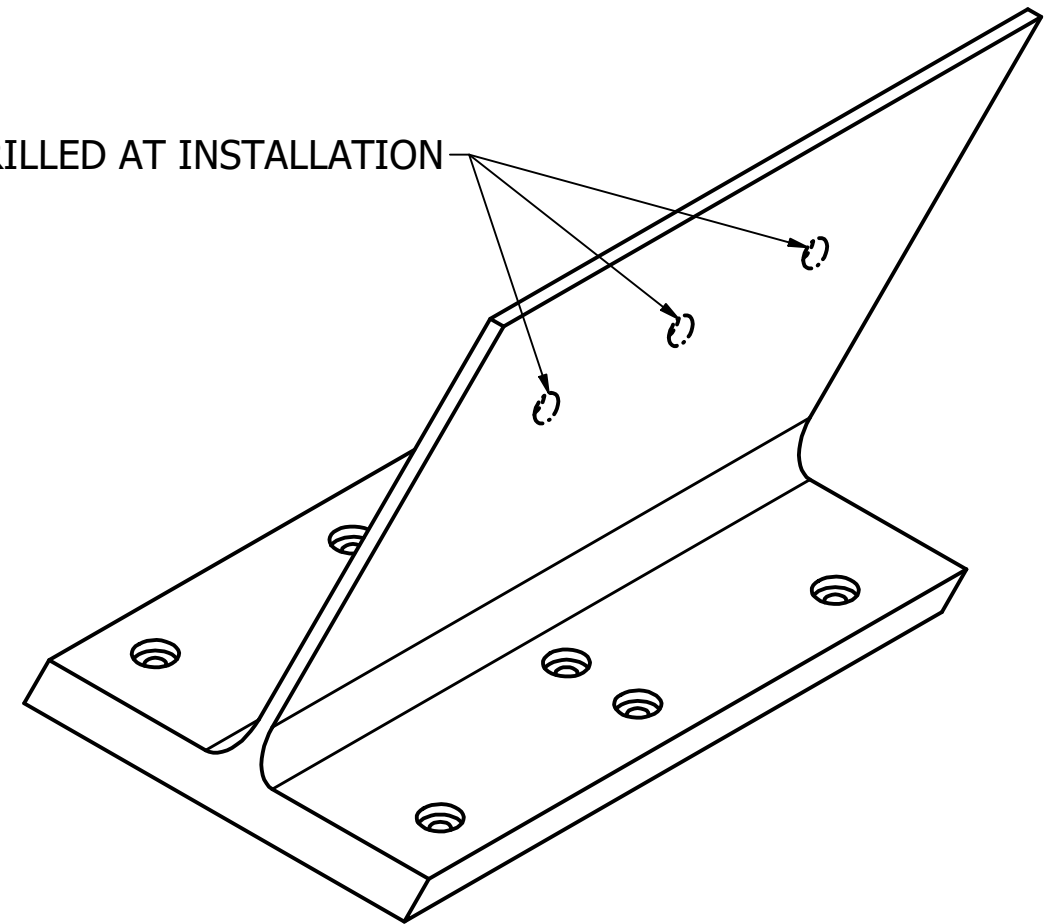


DRILLED AT INSTALLATION



NAME Standard 8" Diagonal		CONNEXT POST & BEAM		
SIZE 8 x 11.5				
PATENT # 9,920,531		AUTHOR JKD	DATE 5/22/23	REV A
SCALE .4	SHEET 1 OF 1			

REVISION HISTORY

REV	DESCRIPTION	DATE	APPROVED
A	INITIAL RELEASE	5/22/2023	CTP&B