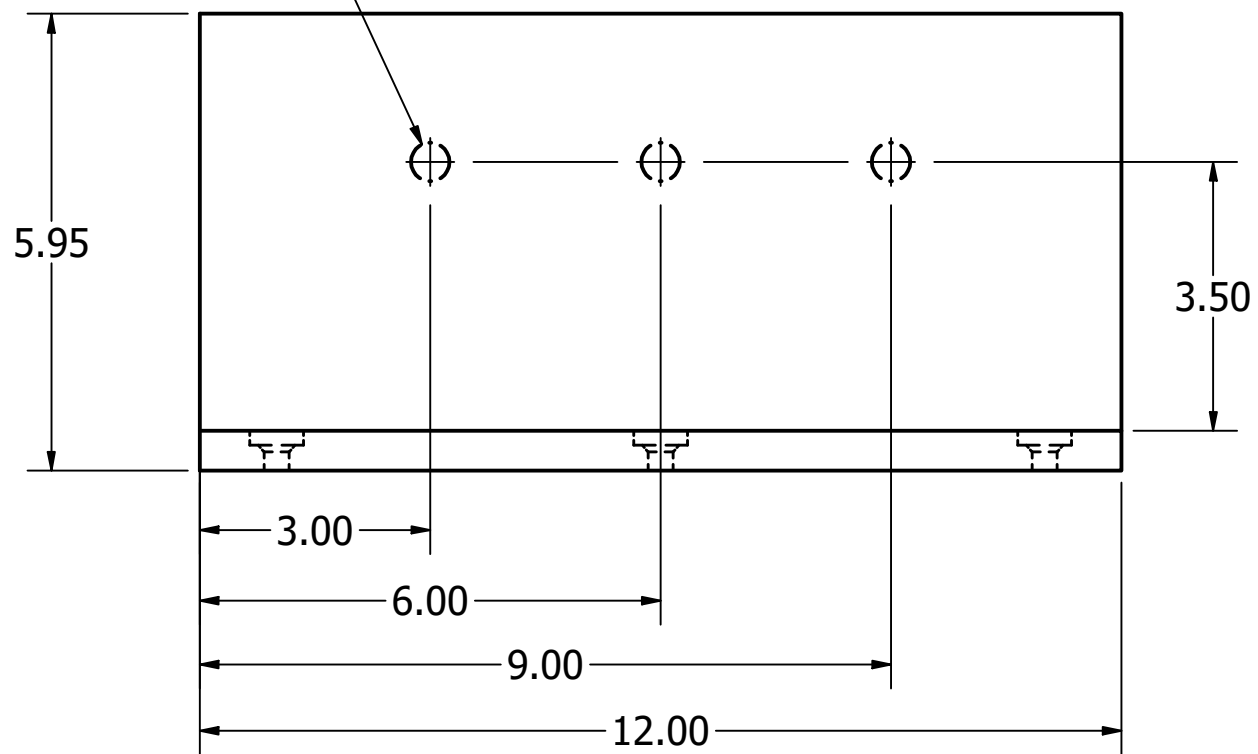
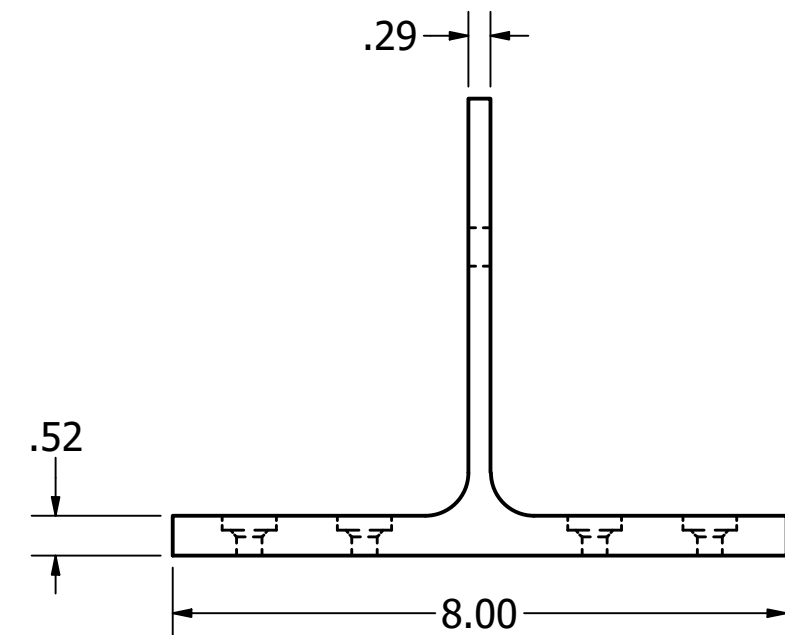
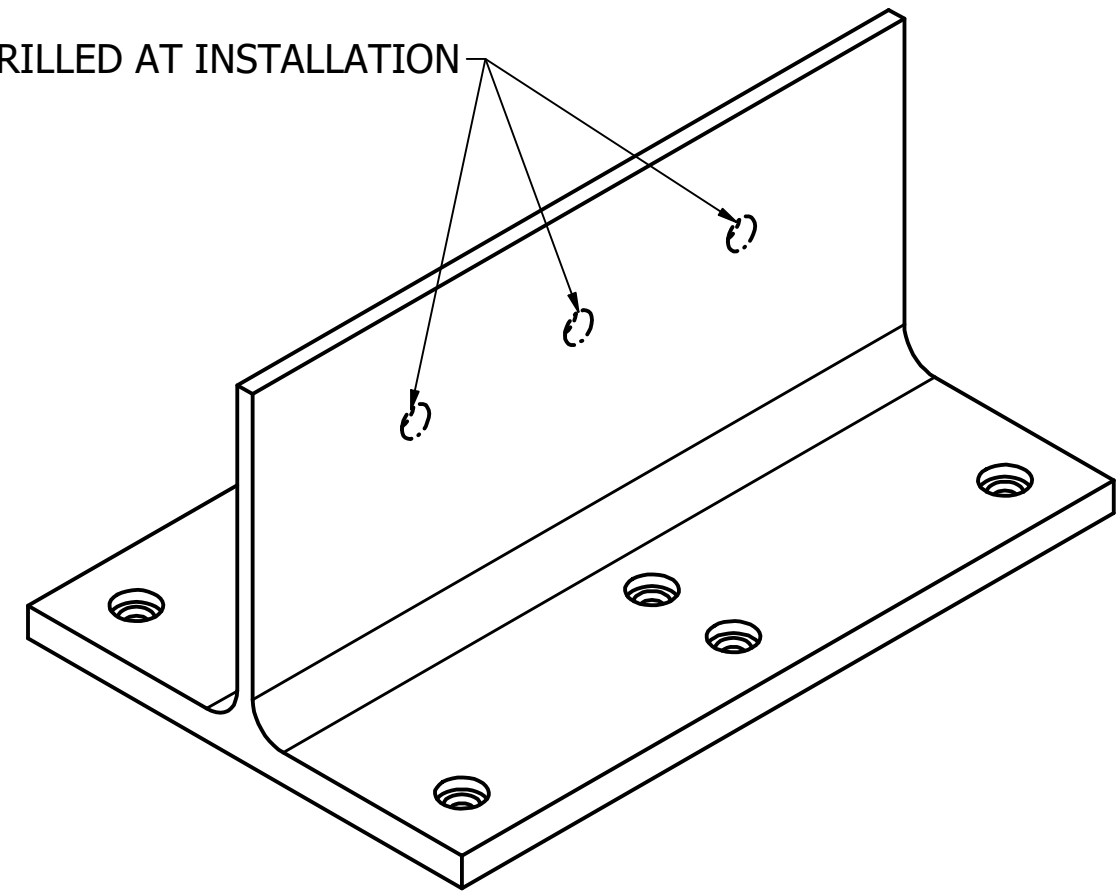


3X \varnothing .50 THRU
DRILLED AT INSTALLATION

8X \varnothing .33 THRU
 \sqsupset \varnothing .70 ∇ .19
8X \sphericalangle \varnothing .48 X 82°



DRILLED AT INSTALLATION



REVISION HISTORY			
REV	DESCRIPTION	DATE	APPROVED
A	INITIAL RELEASE	4/12/2018	CT P&B
B	ADDED C-SINKS AND ADJUSTED HOLE AND C-BORE SIZE	4/26/2022	CT P&B

NAME Standard 8 x 12				
SIZE 8 x 12				
PATENT # 9,920,531		PRODUCT NAME 8012		
SCALE .4	SHEET 1 OF 1	AUTHOR JKD	DATE 8/11/22	REV B