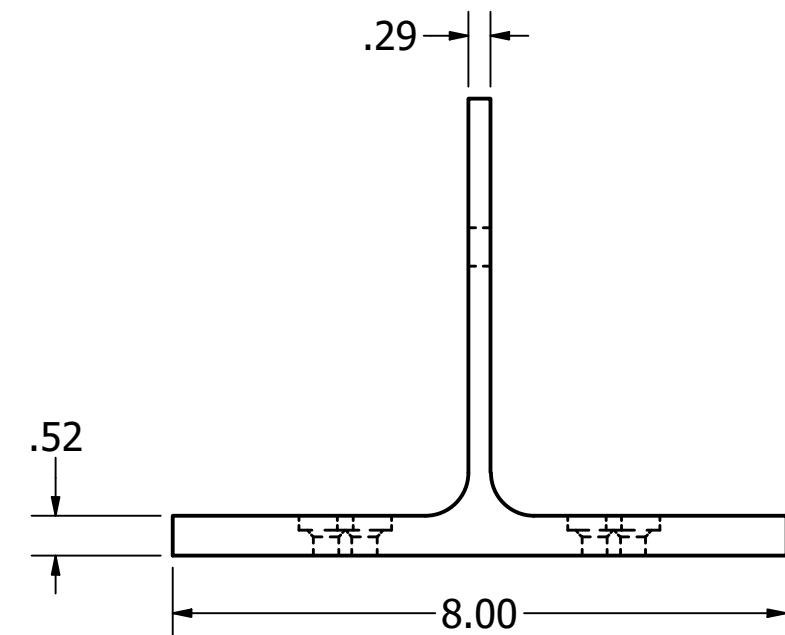
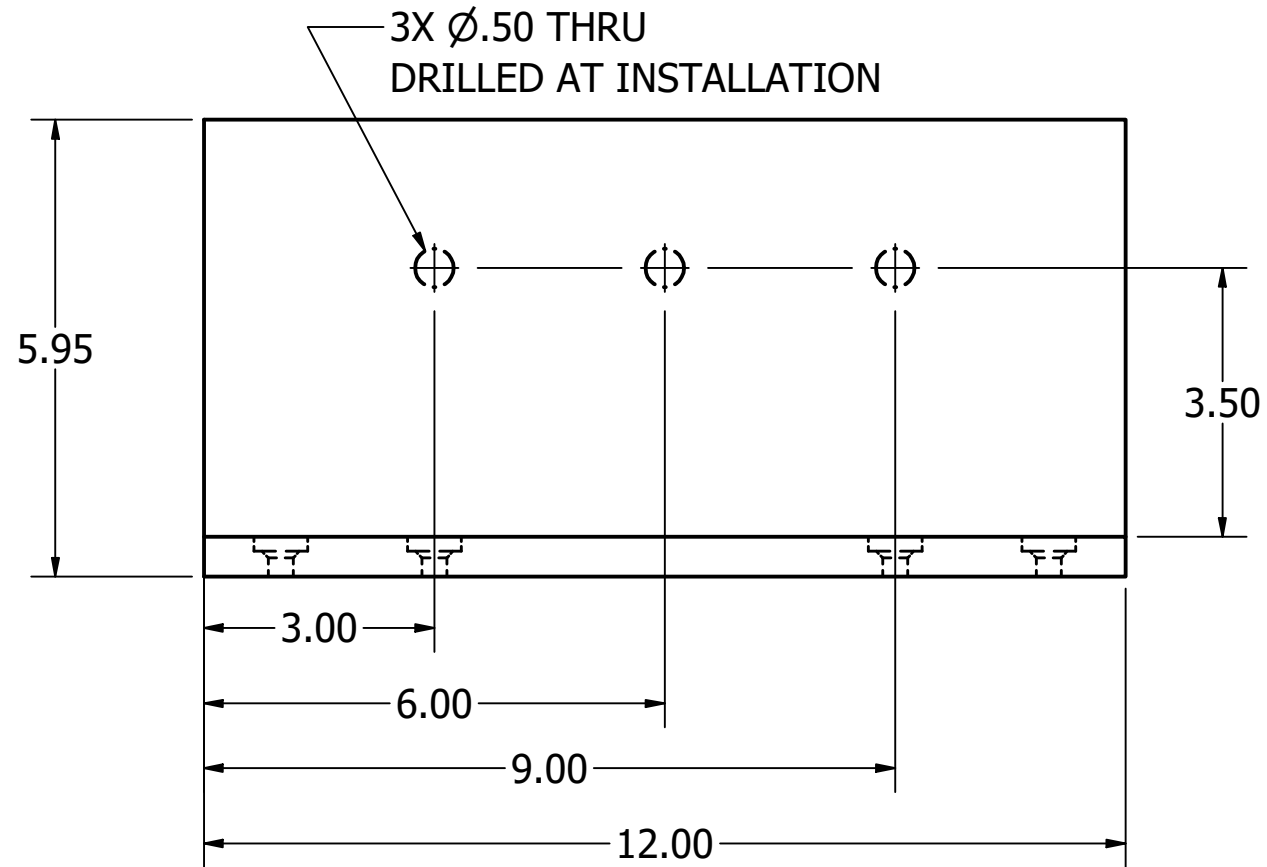
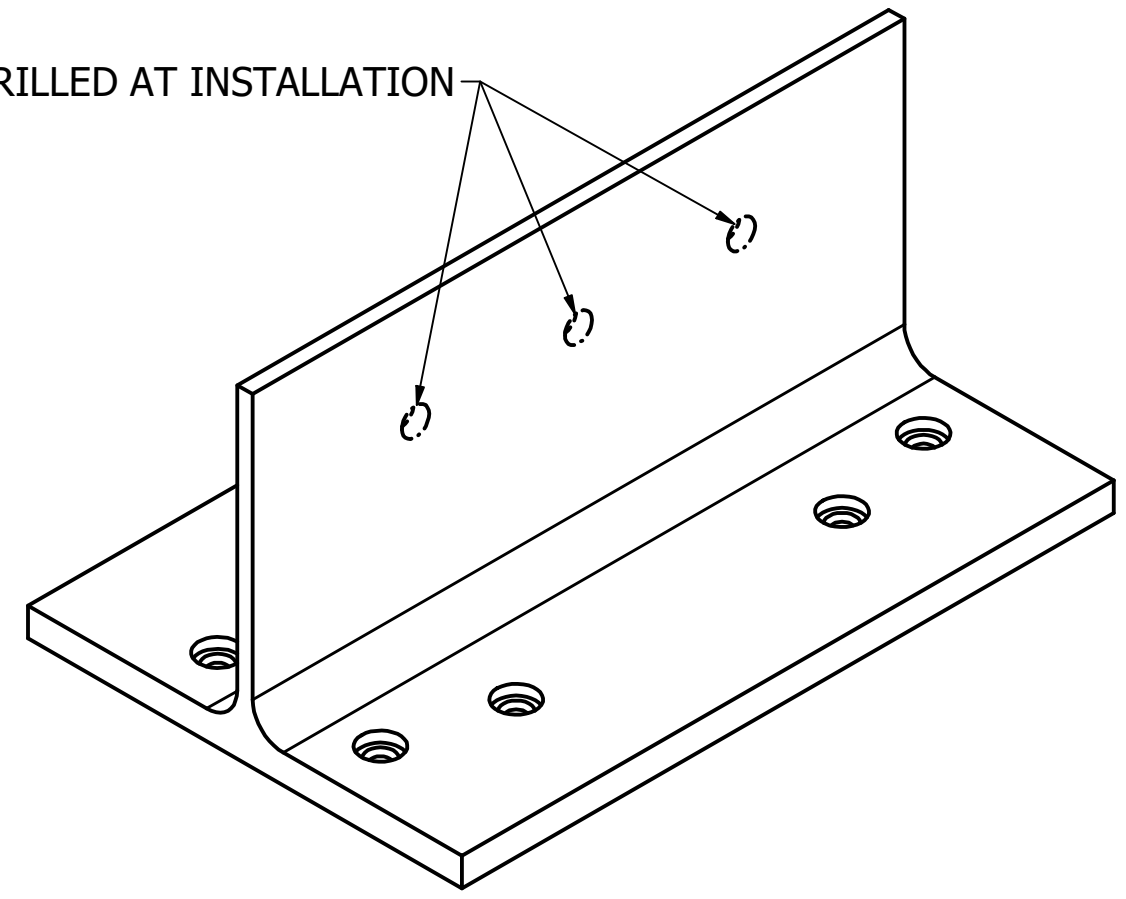


DRILLED AT INSTALLATION



REVISION HISTORY			
REV	DESCRIPTION	DATE	APPROVED
A	INITIAL RELEASE	4/12/2018	CT P&B
B	ADDED C-SINKS AND ADJUSTED HOLE AND C-BORE SIZE	4/26/2022	CT P&B

NAME Standard 8 x 12 Alternate				
SIZE 8 x 12				
PATENT # 9,920,531		PRODUCT NAME 8012A		
SCALE .4	SHEET 1 OF 1	AUTHOR JKD	DATE 8/11/22	REV B